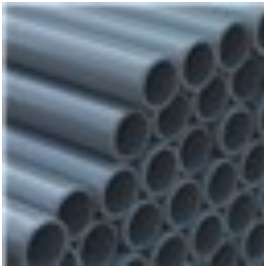


# PVC-U tube TYPE RO01



**description:** tube  
**material:** PVC-U  
**diameter:** 12mm – 110mm  
**pressure:** PN10 | PN16  
**media:** beständig gegen Salzwasser, Chlor und versch. Säuren  
 Nicht für Druckluft oder andere Gase unter Druck geeignet.  
**length:** PN10: 2m | PN16: 4m

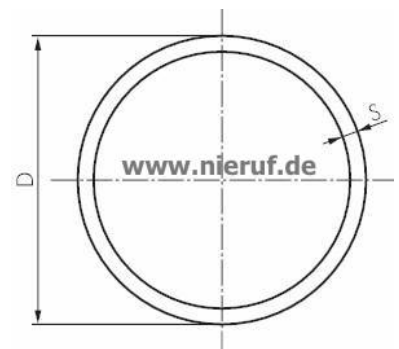
**dimensions:**

**pressure PN10**

D in mm	S in mm	length
--	--	--
--	--	--
--	--	--
--	--	--
32	1,6	2 m
40	1,9	2 m
50	2,4	2 m
63	2,4	2 m
75	2,9	2 m
90	3,5	2 m
110	4,2	2 m

**pressure PN16**

D in mm	S in mm	length
12	1,0	4 m
16	1,5	4 m
20	1,5	4 m
25	1,9	4 m
32	2,4	4 m
40	3,0	4 m
50	3,7	4 m
63	3,8	4 m
--	--	--
--	--	--
--	--	--



**article number:**

type	length	pressure	size
<b>RO01</b>	00 – cut*	00 – PN10	02 – 12
	<b>01 – 2m   4m</b>	<b>01 – PN16</b>	03 – 16
			<b>04 – 20</b>
			05 – 25
			06 – 32
			07 – 40
			08 – 50
			09 – 63
			10 – 75
			11 – 90
			12 – 110

\*cut is possible with a length of 0,1 up to 1,7m – tolerance +/-3%

**example no. RO01010104**

<b>RO01</b>	<b>01</b>	<b>01</b>	<b>04</b>
-------------	-----------	-----------	-----------

PVC-U tube  
 length: 4m  
 pressure: PN16  
 size: 20mm

**example for CUT no. RO01000104|1,4**

<b>RO01</b>	<b>00</b>	<b>01</b>	<b>04</b>
-------------	-----------	-----------	-----------

PVC-U tube  
 length: 1,4 m  
 pressure: PN16  
 size: 20mm

Image similar, subject change without notice.