

## Swing check valve TYPE GR02



### description:

Swing check valves allow the medium to flow just in one direction. If the flow of the medium changes the direction the check valve will close automatically.

### features:

- vertical position with ascendant fluid or horizontal position
- metal or EPDM seal
- pay attention to the flow direction indicated by the arrow

### diameter:

3/8" Zoll bis 2" Zoll

### temperature:

0°C bis +90°C – depending on design

### pressure:

max 16,0 bar

### design:

swing check valve

### connection:

Female thread BSP

### body material:

brass CW 617 N

### bonnet:

brass CW 617 N

### bonnet gasket:

fibers

### disc:

brass CW 617 N

### seal:

metal (0°C – 90°C) or EPDM (0°C – 60°C)

### stem:

brass Hbp59-1

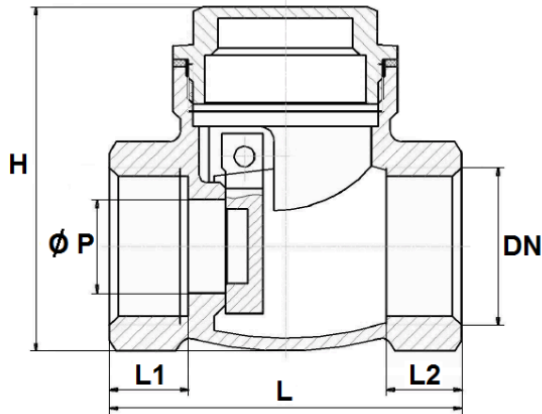
### pressure:

PN16

### standards:

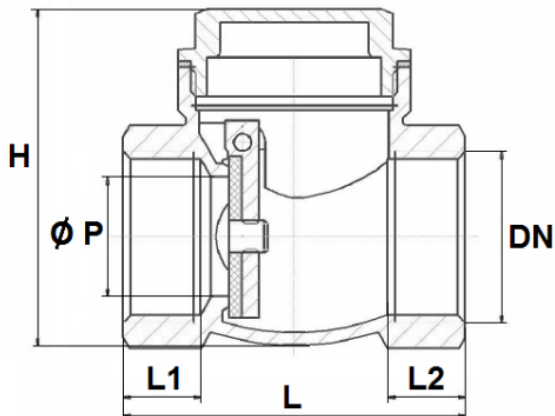
- fabrication according to ISO 9001 : 2008
- female cylindrical threaded BSP ends according to ISO 228-1
- DIRECTIVE 97/23/CE: products excluded from directive (article 1, § 3.2)

dimensions GR02 with metal seal (in mm):



DN	Ø P	L	L1	L2	H	weight (in kg)
3/8"	12	49	11.5	11.5	52	0.160
1/2"	12.5	49	10.5	10	51	0.185
3/4"	18.5	58	12.5	12.5	61	0.285
1"	23.5	70	15.5	14	69	0.440
1 1/4"	30	80	17	17	87	0.580
1 1/2"	35	88	18	17	96.5	0.870
2"	47	102	21	21	111	1.200

dimensions GR02 with EPDM seal (in mm):

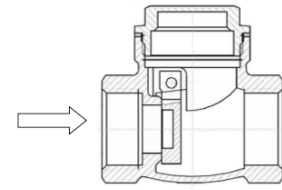
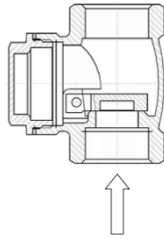


DN	Ø P	L	L1	L2	H	weight (in kg)
3/8"	12	49	11.5	11.5	51	0.160
1/2"	12.5	49	10.5	10	52	0.185
3/4"	18.5	58	12.5	12.5	61	0.290
1"	23.5	70	15.5	14	69	0.440
1 1/4"	30	80	17	17	87	0.580
1 1/2"	35	88	18	17	96.5	0.870
2"	47	102	21	21	111	1.200

**installation positions :**

vertical position (ascendant fluid)

horizontal position



**Article number:**

thread	material	seal	size
GR02	00 – brass	01 – metal 02 - EPDM	02 – 3/8" 03 – 1/2" 04 – 3/4" 05 – 1" 06 – 1 1/4" 07 – 1 1/2" 08 – 2"

**Example No.. GR02000207:**

**GR02** | **00** | **02** | **07**

Article no.. GR02000207  
 swing check valve  
 material: brass  
 seal: EPDM  
 size: 2"

Image similar, subject change without notice.

