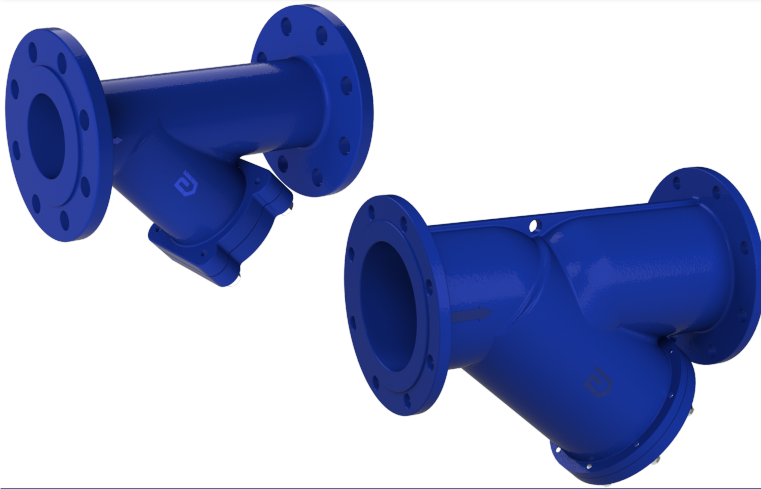


Strainer Flange TYPE SZ04



description:

Strainers are used to clean water by a removable filter.

features:

- for watering, water treatment and irrigation
- Removable stainless steel filter
- Bolted bonnet with draining cap
- Removable stainless steel filter

connection:
DN40 – DN300

construction:
Y-Bauart

pressure:
0 – 16 bar depending on design

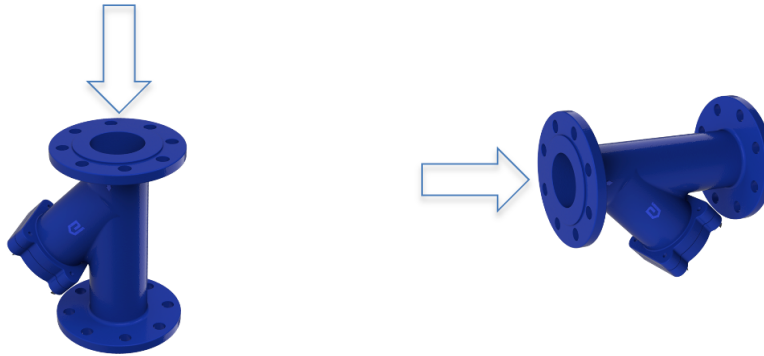
design:	Y-strainer with draining cap
connection:	flange PN10/PN16 acc. to EN 1092-2
body:	EN-GJL-250 (GG25) cast iron, Epoxy painting 150 μ, blue color RAL 5005
filter:	stainless steel 1.4301
bonnet:	EN-GJL-250 (GG25) cast iron
bonnet gasket:	EPDM (ACS approval)
draining cap:	stainless steel 1.4310
bolting:	stainless steel 1.4301
temperature:	-10°C - +80°C
pressure:	up to DN 150: PN16, DN200-DN300: PN10 or PN16

standards:

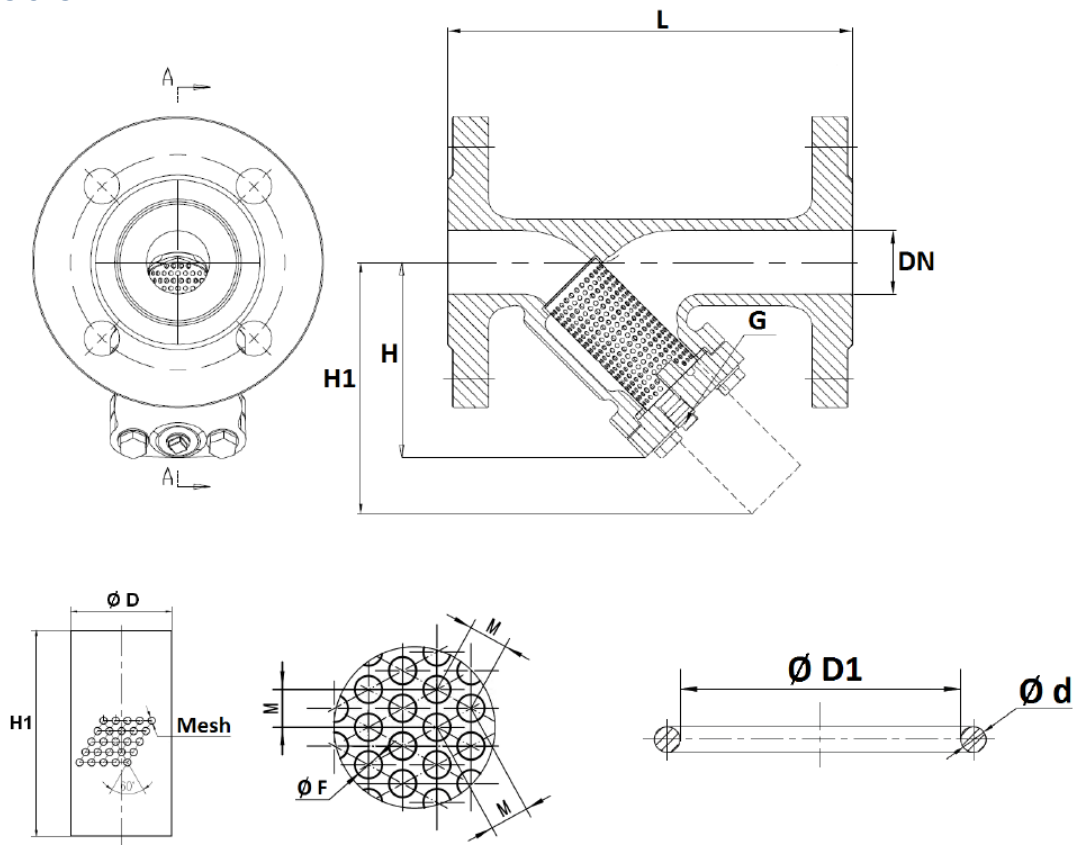
- Fabrication according to ISO 9001:2015
- DIRECTIVE 2014/68/EU Products excluded (article 4, § 3)
- Pressure tests according to ISO 5208
- Length according to EN 558 Series 1 (DIN 3202 F1 – NF 29354)
- Flanges according to EN 1092-2 PN10/16

particularities:

- Respect the flow direction indicated by the arrow
- Horizontal or vertical position with descendant fluid
- Mesh:
Up to DN80: 1,5 mm
DN100 to DN300: 2 mm
- Epoxy painting 150 μ, blue color RAL 5005

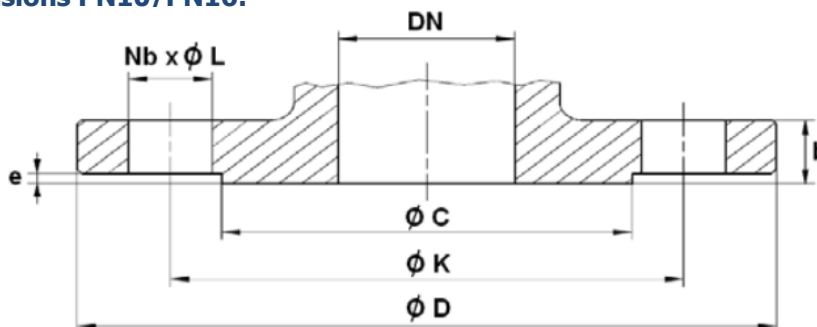


dimensions:



DN	L	H	H2	G	Ø D	H1	Mesh Ø F	M	Ø D1 x Ø d	Kv	Weight
	mm	mm	mm	Inch	mm	mm	mm			m ³ /h	kg
40	200	111	154,5	-	47	83	1,5	3	50x4	40	5,67
50	230	137,2	180,7	3/8"	57	97	1,5	3	63x5	41	8,5
65	290	164,6	225,3	1/2"	76	119	1,5	3	85x5	71	11,7
80	310	190	264,8	1/2"	91	139	1,5	3	104x5.1	94	15,2
100	350	222,9	294,9	1/2"	112	157	2	4	125x6	136	21,9
125	400	261,3	357,6	3/4"	137	194	2	4	150x6	188	30,8
150	480	306,9	429,2	3/4"	163	234	2	4	175x7	253	43,9
200	600	377,9	558,3	3/4"	218	311	2	4	224x7	505	76
250	730	438,2	657	1"	264	359	2	4	280x7	1017	115
300	850	510,9	768,6	1"	318	409	2	4	334x8.6	1338	169,5

flange dimensions PN10/PN16:



DN	PN	Ø C	Ø D	Ø K	Nb x Ø L	b	e
		mm	mm	mm		mm	mm
40	10/16	84	150	110	4 x 19	18	3
50	10/16	99	165	125	4 x 19	20	3
65	10/16	118	185	145	4 x 19	20	3
80	10/16	132	200	160	8 x 19	22	3
100	10/16	156	220	180	8 x 19	24	3
125	10/16	184	250	210	8 x 19	26	3
150	10/16	211	285	240	8 x 23	26	3
200	10	266	340	295	8 x 23	30	3
200	16	266	340	295	12 x 23	30	3
250	10	319	405	350	12 x 23	32	3
250	16	319	405	355	12 x 28	32	3
300	10	370	460	400	12 x 23	32	4
300	16	370	460	410	12 x 28	32	4

pressure loss:

$$\Delta p = (Q / K_v)^2 \times SG$$

Q : flow in m3/h

Δp : Head loss in bar

SG : Specific gravity (= 1 for water)

Kv : Volume of water in m3/h, that will flow through a given restriction or valve opening with a pressure drop of 1 bar at 20oC)

article number:

Type	Material	Pressure	Size
SZ04	00 – cast iron	00 – PN16 10 – PN10*	07 – DN40
			08 – DN50
		09 – DN65	
		10 – DN80	
		11 – DN100	
		12 – DN125	
		13 – DN150	
		14 – DN200	
		15 – DN250	
		16 – DN300	

*PN10 only available from DN200 upwards

Example no. SZ04000011:

SZ04 | 00 | 00 | 11

Strainer flange made of cast iron

Pressure: PN16

Size: DN100

Image similar, subject change without notice.