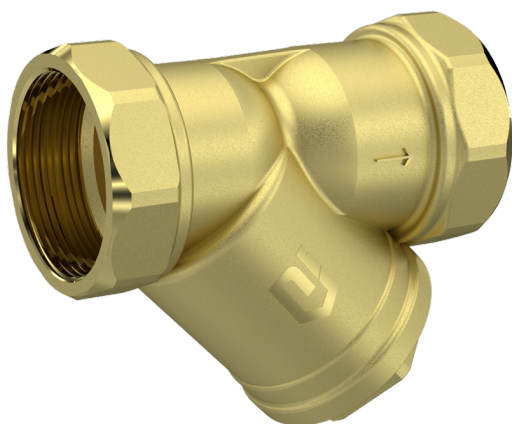


Strainer Thread TYPE SZ02



description:

Strainers are used to clean water by a removable filter

features:

- for water distribution and watering
- removable stainless steel filter
- for water distribution and watering
- removable stainless steel filter

connection:
3/8" inch - 2" inch

construction:
Y-strainer

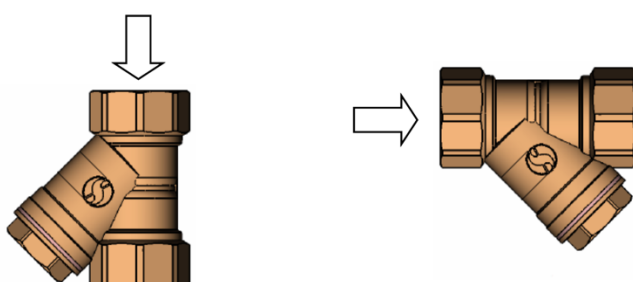
pressure:
0 – 16 bar

design: Y-strainer
connection: female thread BSP
body: brass CW 617N acc to. EN12165
O-ring: EPDM
filter: stainless steel 1.4301
cap: brass CW 617N acc to. EN12165
temperature: -10°C - +120°C
pressure: PN16
standards:

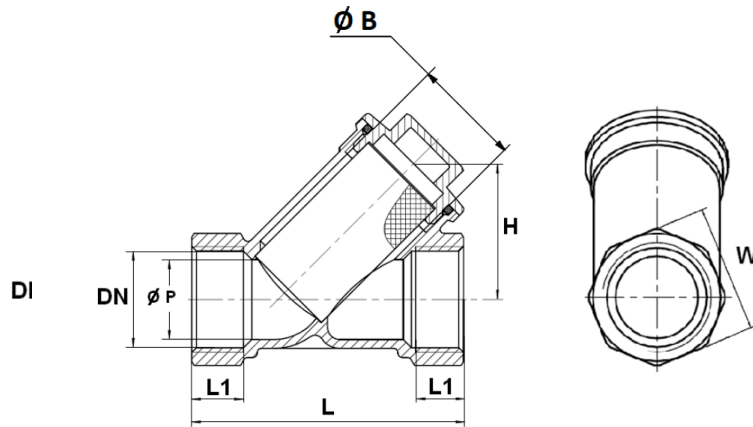
- Fabrication according to ISO 9001:2015
- Threaded female BSP cylindrical
- DIRECTIVE 2014/68/EU: products excluded from directive (article 1, § 2.b)
- french water agreement A.C.S. No 21 ACC LY 404

particularities:

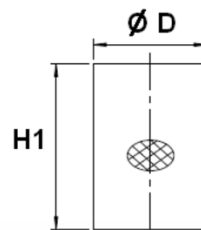
- pay attention to the flow direction indicated by the arrow
- horizontal or vertical position with descendant fluid
- mesh 0,85 mm (850 μ)



dimensions:

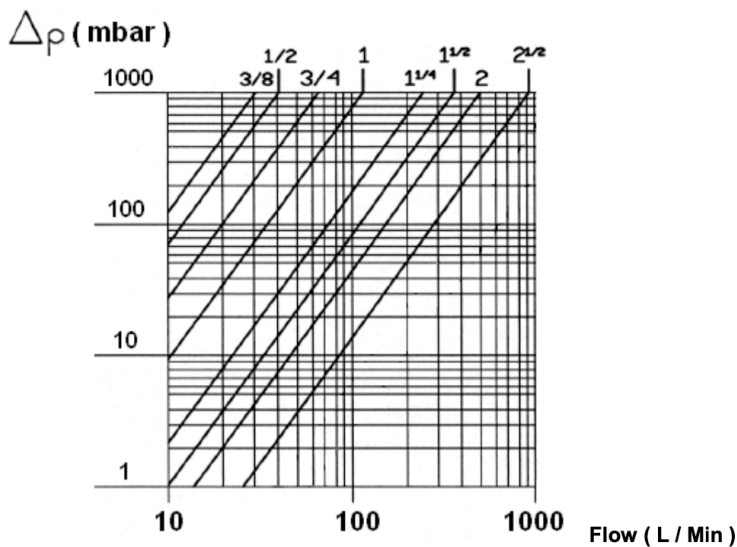


Filter size :



| DN | Ø P | L | L1 | Ø B | H | W | Ø D | H1 | weight |
|----------|------|-----|------|-----------|------|----|------|------|--------|
| Inch | mm | mm | mm | mm | mm | mm | mm | mm | kg |
| G 3/8" | 12 | 48 | 9 | M18x1,5 | 22 | 20 | 14,5 | 22 | 0,074 |
| G 1/2" | 15,6 | 58 | 11 | M22,5x1,5 | 23,5 | 25 | 18,5 | 25 | 0,135 |
| G 3/4" | 20 | 68 | 13 | M28,5x1,5 | 33,3 | 31 | 23,5 | 40 | 0,215 |
| G 1" | 26 | 75 | 14 | M33x1,5 | 38 | 38 | 27,5 | 40,5 | 0,335 |
| G 1 1/4" | 32 | 90 | 16,5 | M38,5x1,5 | 42 | 47 | 33,5 | 46 | 0,475 |
| G 1 1/2" | 42 | 108 | 18 | M47,5x1,5 | 49,5 | 54 | 42,5 | 54 | 0,770 |
| G 2" | 50 | 130 | 20 | M58x1,5 | 61 | 67 | 52,5 | 63 | 1,280 |

pressure loss:



article number:

| Type | Material | Pressure | Size |
|-------------|-------------------|------------------|---|
| SZ02 | 00 – brass | 00 – PN16 | 01 – 1/4" 02 – 3/8" 03 – 1/2" 04 – 3/4" 05 – 1" 06 – 1 1/4" 07 – 1 1/2" 08 – 2" |

Example no. SZ02000004:

| | | | |
|-------------|-----------|-----------|-----------|
| SZ02 | 00 | 00 | 04 |
|-------------|-----------|-----------|-----------|

Strainer made of brass
Pressure: PN16
Size: 3/4"

Image similar, subject change without notice.