

Strainer Thread TYPE SZ01



Description:

Stainless steel strainer are used for the filtration of fluids like water or compressed air.

Product features:

- Suitable for fluids and compressed air
- Filtration of media
- With draining cap
- Removable stainless steel filter

Connection:
1/4" inch - 2" inch

Construction:
Y-strainer

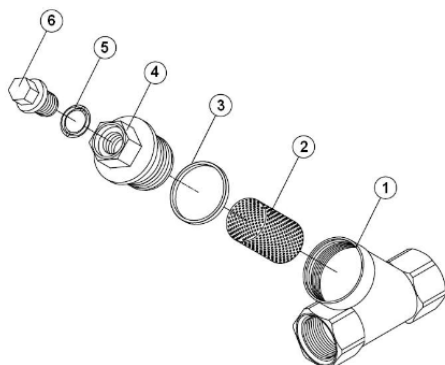
Temperature:
-50°C to +200°C
consider pressure-temperature-diagram

Pressure:
0 – 16 bar

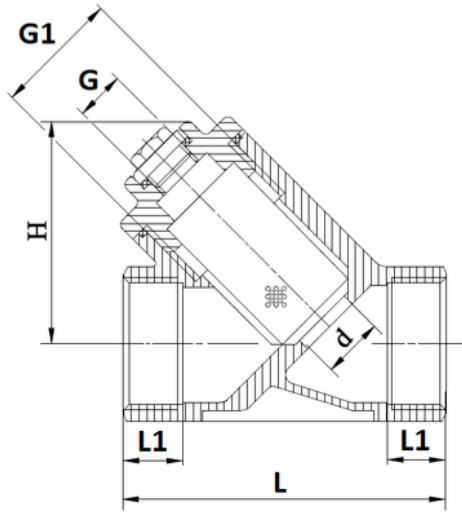
<p>Design:</p> <p>Connection:</p> <p>Body (1):</p> <p>Filter (2):</p> <p>Body gasket (3):</p> <p>Bonnet (4):</p> <p>Cap gasket (5):</p> <p>Cap (6):</p> <p>Temperature:</p> <p>Pressure:</p> <p>Mesh:</p>	<p>Y-strainer with draining cap</p> <p>Female thread BSP ISO 228/1</p> <p>Stainless steel 1.4408 / A 351 CF8M</p> <p>Stainless steel 1.4401 / AISI 316</p> <p>PTFE</p> <p>Stainless steel 1.4408 / A 351 CF8M</p> <p>PTFE</p> <p>Stainless steel 1.4408 / A 351 CF8M</p> <p>-50°C to +200°C</p> <p>PN16</p> <p>1mm (1000 μ)</p>
--	---

CE: - 1/4" – 1": no CE marking
 - 1 1/4" – 2": CE0036 marking acc to. Directive 2014/68/EU for liquids and gas of Group 1, Risk Category I

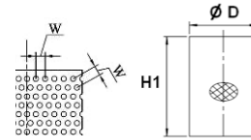
Explosion drawing:



Dimensions:

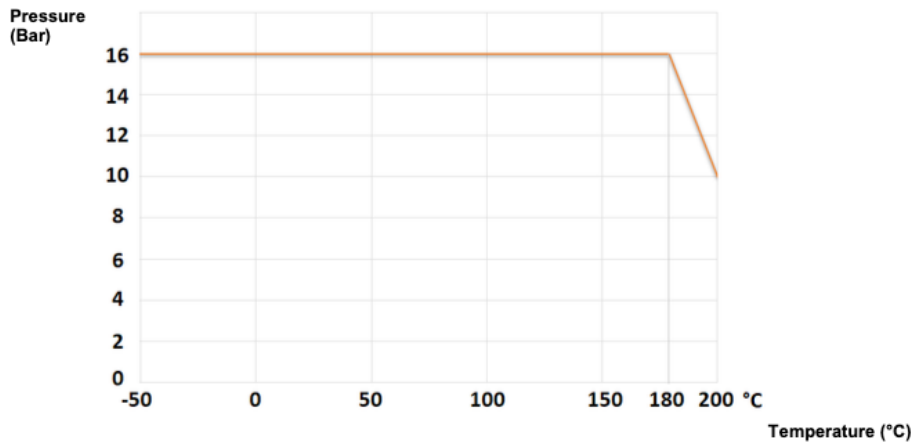


Filter size:



DN	L	L1	Ø d	G	G1	H	W	Ø D	H1	Kvs	Weight
inch	mm	mm	mm	inch	mm	mm	mm	mm	mm	m ³ /h	kg
G 1/4"	64	15	9,5	1/4"	M24 x 1,5	43	2	19	29	3,5	0,22
G 3/8"	64	15	12	1/4"	M24 x 1,5	43	2	19	29	4,5	0,22
G 1/2"	64	15	15	1/4"	M24 x 1,5	45	2	19	29	5,7	0,23
G 3/4"	80	16	20	1/4"	M30 x 1,5	52	2	23,5	40,5	7,9	0,35
G 1"	89	18	25	3/8"	M40 x 1,5	68	2	33	49	16	0,62
G 1 1/4"	106,5	22	32	1/2"	M42 x 1,5	70	2	36	54	23	0,84
G 1 1/2"	118	22	38	1/2"	M50 x 1,5	80	2	44	64	36	1,08
G 2"	139	25	49	1/2"	M60 x 1,5	98	2	54	76	50	1,65

Pressure-temperature-diagram (steam excluded):



Installation position:

- Horizontal position or vertical position with descendant fluid
- Consider the flow direction indicated by the arrow



Optionen:

- Strainer in accordance with the regulation (EC) N. 1935/2004 on request

Article number:

Type	Material	Pressure	Size
SZ01	00 – stainless steel	00 – PN16	01 – 1/4" 02 – 3/8" 03 – 1/2" 04 – 3/4" 05 – 1" 06 – 1 1/4" 07 – 1 1/2" 08 – 2"

Example no. SZ01000004:

SZ01	00	00	04
-------------	-----------	-----------	-----------

Y-strainer made of stainless steel

Pressure: PN16

Size: 3/4"

Image similar, subject change without notice.