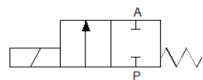
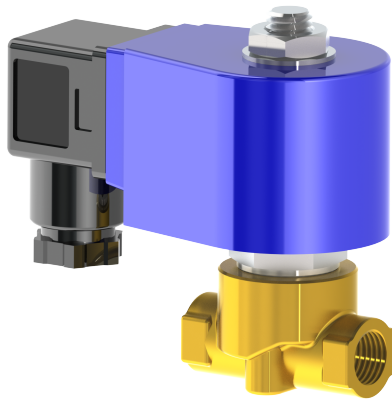


2/2-way solenoid valve brass high pressure type MV10



description:

2/2-way solenoid valve made of brass for high pressure applications. Ideal for machine and plant engineering. This valve switches at 0 bar (direct acting).

features:

- Suitable for **liquid & gaseous, neutral and not neutral media**
- Mounting position: any, preferably solenoid above

connection:

1/8", 1/4", 3/8" inch

control:

direct acting

function:

NC – normally closed

pressure:

0,0 – 120 bar – depending on design

design:

seat valves

Body material:

brass

seal:

EPDM, FKM (leakage acc. EN 12266-1: A)

voltage:

230V 50Hz 24V DC

voltage tolerance:

+/- 10% acc. VDE 0580

power consumption:

230V 50Hz: 6 VA (short-term inrush consumption : 130 VA)
24V DC 9 Watt (short-term inrush consumption : 50 Watt)

current consumption:

230V 50Hz: 26 mA (short-term inrush current : 565 mA)
24V DC 375 mA (short-term inrush current : 2083 mA)

duty:

100 % ED

Plug socket:

IP65 is plug socket mounted acc. DIN EN 175301-803 form A

viscosity:

≤20CST

mounting position:

any, preferably solenoid above

temperature:

ambient: max. + 50°C
media: FKM – 10°C up to +120°C
EPDM – 10°C up to +130°C

flow direction:

from 1 -> 2 (see marking on the housing)

DN

2,0 mm

4,0 mm

max. pressure

0,0 – 120 bar

0,0 – 45 bar (35 bar*)

connection

G 1/8" inch, G 1/4" inch

G 3/8" inch

flow rate

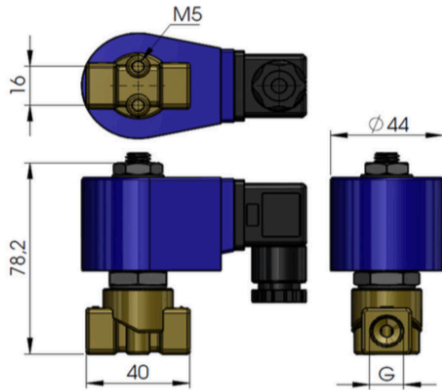
0,12 m³/h

0,51 m³/h

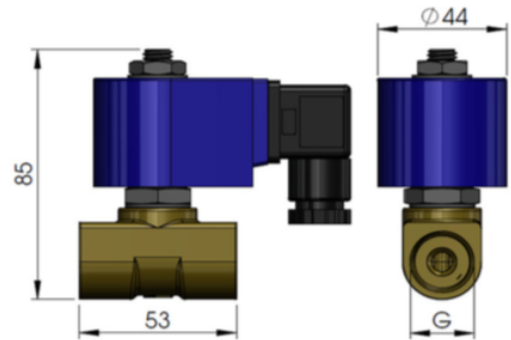
*with direct current the operating pressure will be reduced (see values in brackets)

dimensions:

DN2,0 connection G1/8" | G1/4" inch



DN4,0 connection G3/8" inch



Test meeting the requirement of PED acc. to DIN EN 12266-1:

The tightness corresponds to the specified leakage rates*:

type	soft seat**
MV10	A

* acc. to EN 12266-1

** Soft Seat: EPDM, FKM

Artikelnummer

Type	Voltage	Seal	Function	Version	Size
MV10	1 – 230V 50Hz 2 – 24V DC	1 – EPDM 2 – FKM	0 – NC stromlos geschlossen	0 – Standard	00 – 1/8" 01 – 1/4" 02 – 3/8"

example No. MV10120002:

MV10 | 1 | 2 | 0 | 0 | 02

2/2 way solenoid valve brass
 Voltage: 230V 50Hz
 Seal: FKM
 Function: NC normally closed
 Version: standard
 Size: 3/8"

Image similar, subject change without notice