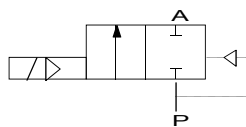
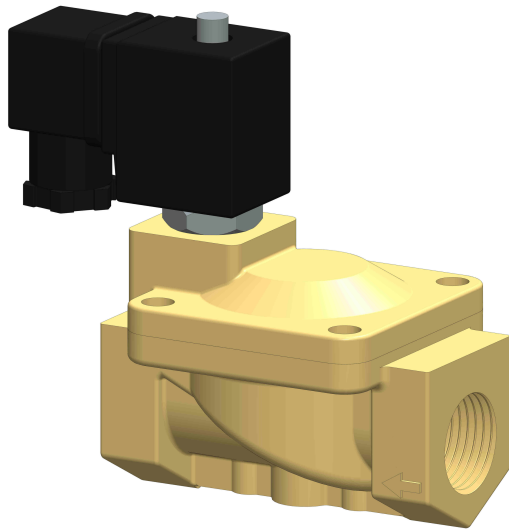


## 2/2-way solenoid valve brass type MV05



**description:**

2/2-way solenoid valve made of brass, membrane design for high flow rates. Ideal for machine and plant engineering. This valve switches at 0,5 bar. Servo controlled valve.

**features:**

- Suitable for neutral, not neutral, **liquid & gaseous media**
- Mounting position: any, solenoid preferably above

**connection:**

3/8", 1/2", 3/4", 1", 1 1/4", 1 1/2", 2" inch

**control:**

servo controlled

**function:**

NC – normally closed

**pressure:**

0,5 – 16 bar – depending on design

**design:**

seat valve with membrane

**diameter:**

DN13, DN20, DN25, DN32, DN40, DN50

**body material:**

Brass

**seal:**

EPDM, NBR, FKM

**voltage:**

230V 50Hz      24V DC

**voltage tolerance:**

+/- 10% acc. VDE 0580

**power consumption:**

230V 50Hz:      22 VA  
24V DC            18 Watt

**duty:**

100 % ED

**plug socket:**

IP65 with plug socket mounted acc. DIN EN 175301-803 form A

**plug:**

cable diameter 6-8 mm, thread PG 9, design A

**viscosity:**

≤20CST

**temperature:**

ambient:            max. + 50°C  
media:                FKM – 10°C up to +120°C  
                              NBR – 10°C up to +80°C  
                              EPDM – 10°C up to +130°C

**DN**

13,0 mm  
13,0 mm  
20,0 mm  
25,0 mm  
32,0 mm  
40,0 mm  
50,0 mm

**max. pressure**

0,5 – 16 bar  
0,5 – 16 bar  
0,5 – 16 bar  
0,5 – 16 bar  
0,5 – 16 bar  
0,5 – 16 bar  
0,5 – 16 bar

**connection**

G 3/8" inch  
G 1/2" inch  
G 3/4" inch  
G 1" inch  
G 1 1/4" inch  
G 1 1/2" inch  
G 2" inch

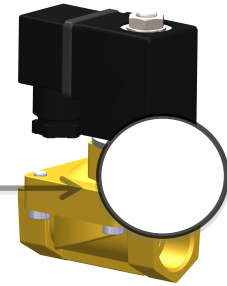
**flow rate**

3,8 m³/h  
3,8 m³/h  
6,5 m³/h  
10,3 m³/h  
18,9 m³/h  
25,8 m³/h  
41,2 m³/h

**options:**

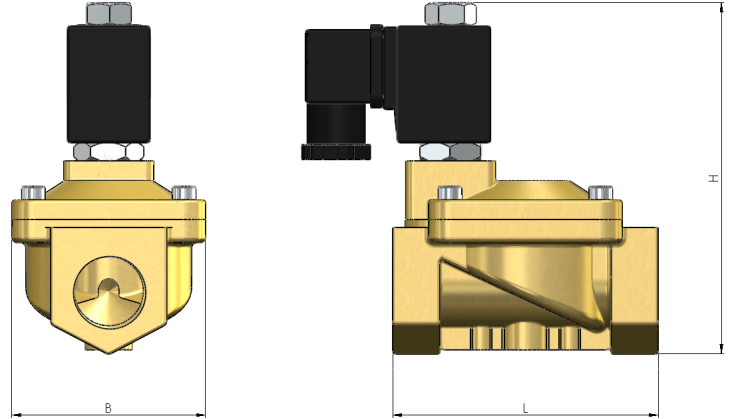
without oil and fat  
 plug socket mounted LED  
 bracket  
 manual

Ex II 2G Ex mII T4  
 II 3D IP65 T130°C



**dimensions:**

connection	DN	L	B	H
3/8" inch	13	66	48	107
1/2" inch	13	66	48	107
3/4" inch	20	75	58	112
1" inch	25	96	70	131
1 1/4" inch	32	131	96	146
1 1/2" inch	40	131	96	146
2" inch	50	165	120	167



**Test meeting the requirement of PED acc. to DIN EN 12266-1:**

The tightness corresponds to the specified leakage rates\*:

type	soft seat**
MV05	A

\* acc. to EN 12266-1

\*\* Soft Seat: EPDM, FKM, NBR

**article number:**

Type	Voltage	Seal	Function	Version	Size
<b>MV05</b>	<b>1 – 230V 50Hz</b> 2 – 24V DC	1 – EPDM <b>2 – FKM</b> 4 – NBR	<b>0 – NC normally closed</b>	<b>0 – standard</b>	02 – 3/8" 03 – 1/2" <b>04 – 3/4"</b> 05 – 1" 06 – 1 1/4" 07 – 1 1/2" 08 – 2"

**Example no. MV05120004:**

**MV05 | 1 | 2 | 0 | 0 | 04**

2/2 way solenoid valve  
 Voltage: 230V 50Hz  
 Seal: FKM  
 Function: NC normally closed  
 Version: standard  
 Size: 3/4"

Image similar, subject change without notice.