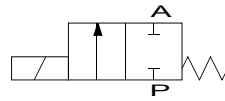
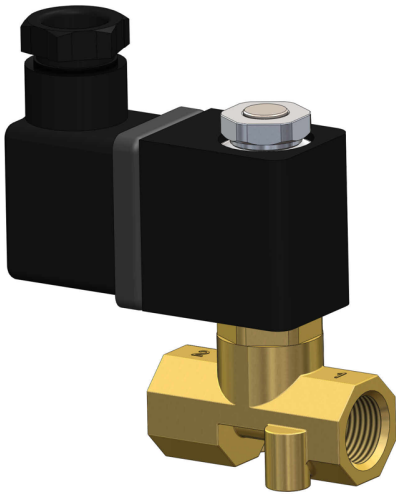


2/2-way solenoid valve brass type MV02



description:

2/2-way solenoid valve made of brass, very compact design for high flow rates. Ideal for machine and plant engineering. This valve switches at 0 bar.

features:

- Suitable for neutral, not neutral, **liquid & gaseous media**
- Mounting position: any, solenoid preferably above

connection:
1/8", 1/4" inch

control:
direct acting

function:
NC – normally closed

pressure:
0 – 20 bar – depending on design

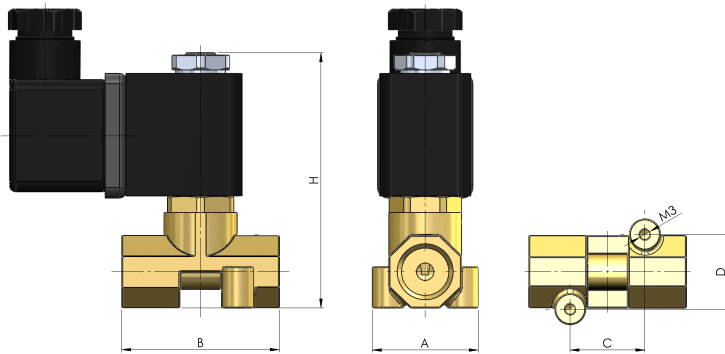
design:	seat valve
diameter:	DN 1,0 / DN 1,5 / DN 2,0 / DN 2,5
body material:	brass
seal:	FKM
voltage:	230V 50Hz 24V DC
voltage tolerance:	+/- 10% acc. VDE 0580
power consumption:	230V 50Hz: 9,2 VA 24V DC 6 Watt
duty:	100 % ED
plug socket:	IP65 is plug socket mounted acc. DIN EN 175301-803 Form A
temperature:	ambient: max. + 50°C media: FKM – 10°C up to +120°C

DN	max. pressure	connection	flow rate
1,0 mm	0 – 20 bar (15 bar*)	G 1/8" – G 1/4" Zoll	0,7 l/min
1,5 mm	0 – 16 bar (13 bar*)	G 1/8" – G 1/4" Zoll	1,0 l/min
2,0 mm	0 – 13 bar (10 bar*)	G 1/8" – G 1/4" Zoll	1,9 l/min
2,5 mm	0 – 10 bar (6 bar*)	G 1/8" – G 1/4" Zoll	2,4 l/min

*using DC reduces the working pressure

options: without oil and fat
plug socket mounted with LED

dimensions:



	A	B	C	D	H
G	25	28	18	18	60
G¼	26	38	18	18	61

Test meeting the requirement of PED acc. to DIN EN 12266-1:

The tightness corresponds to the specified leakage rates*:

type	soft seat**
MV02	A

* acc. to EN 12266-1

** Soft Seat: FKM

article number:

Type	Voltage	Seal	Function	Connection	Size
MV02	1 – 230V 50Hz 2 – 24V DC	2 – FKM	0 – NC normally closed	0 – 1/8" IG 1 – 1/4" IG	10 – DN 1,0 15 – DN 1,5 20 – DN 2,0 25 – DN 2,5

Example no. MV02120010:

MV02	1	2	0	0	10
-------------	----------	----------	----------	----------	-----------

2/2 way solenoid valve brass
 Voltage: 230V 50Hz
 Seal: FKM
 Function: NC normally closed
 Connection: 1/8" IG
 Size: DN 1,0

Image similar, subject change without notice.