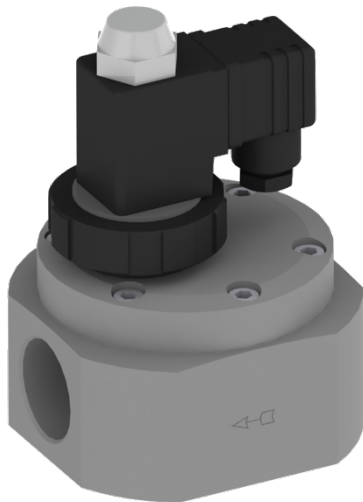


## 2/2-way solenoid valve plastic type KV04



**description:**

2/2-way solenoid valve made of plastic (PVC or PTFE), with membrane for high flow rates. Ideal for machine and plant engineering or chemistry. This valve switches at 0,3 bar

**features:**

- Suitable for **liquid & gaseous, neutral and not neutral media**
- Mounting position: Coil upwards

**connection:**

cementing socket,  
welding socket,  
threaded connection

**control:**

Pilot operated

**function:**

NC – normally closed

**pressure:**

0,3 – 6,0 bar – depending on design

**design:**

**diameter:**

**body material:**

**seal:**

**voltage:**

**voltage tolerance**

**power consumption:**

**duty:**

**Plug socket:**

**connection:**

**temperature:**

seat valve with membrane

DN15 – 50

PVC, PP, PTFE

EPDM, FKM

230V 50Hz            24V DC

+/- 10% acc. VDE 0580

230V 50Hz:            6,5VA

24V DC:                5W

100 % ED

IP65 with plug socket mounted

PVC:                    cementing socket

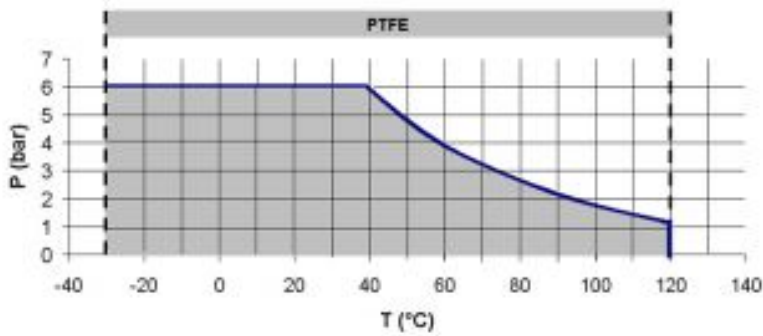
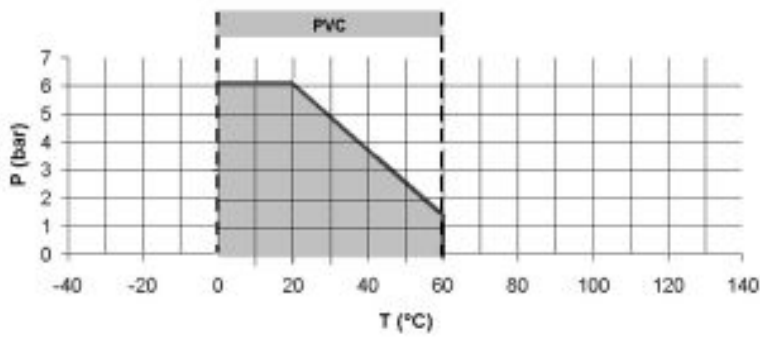
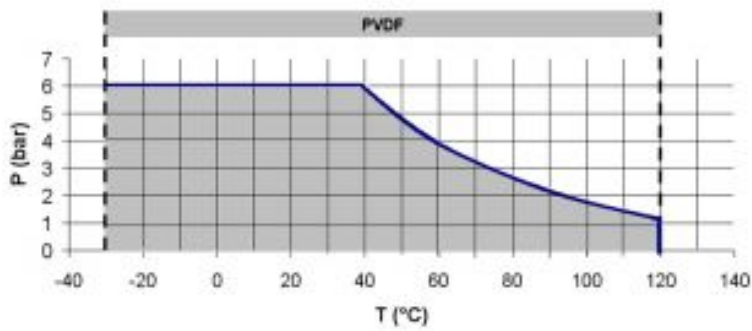
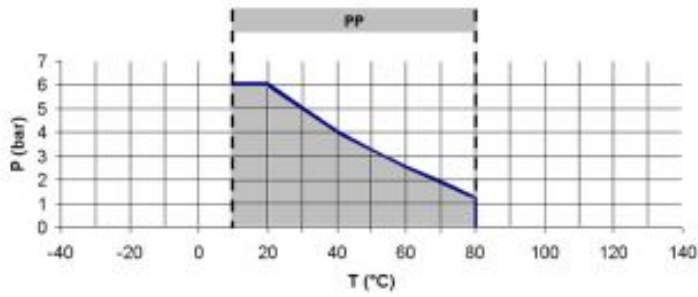
PP:                      welding socket

PTFE:                  threaded connection

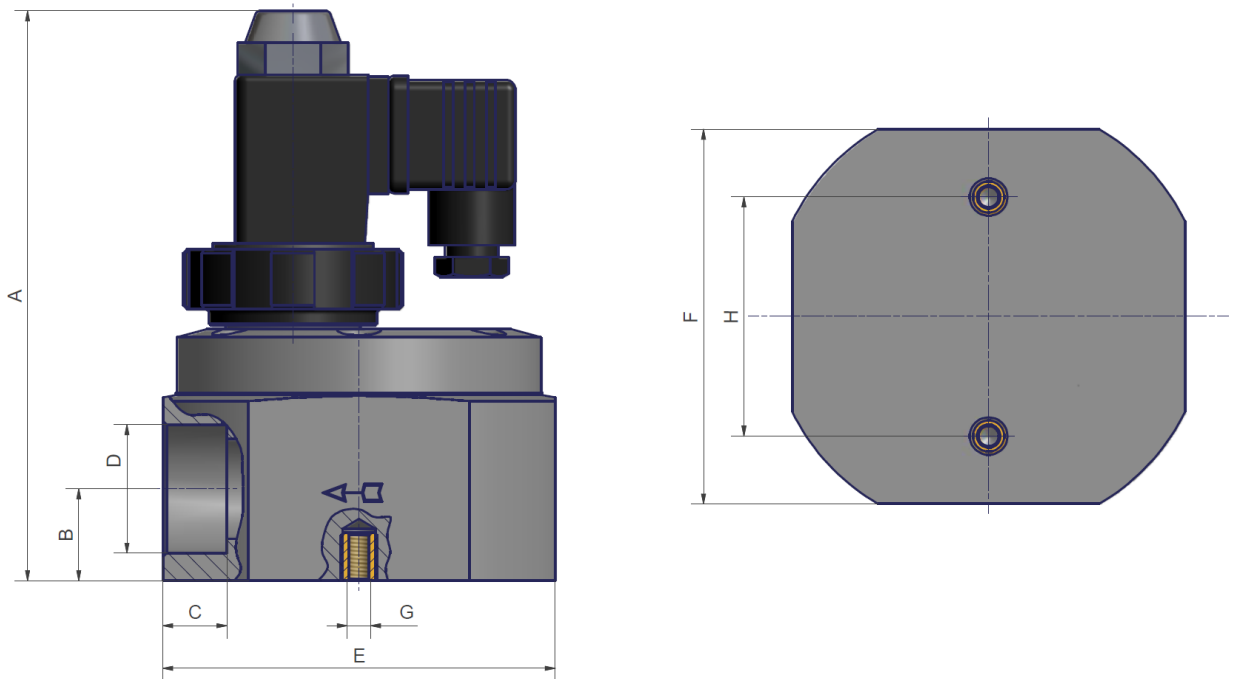
ambient:              0°C up to max. + 50°C

DN	max. pressure	connection			flow rate	weight (kg)
		PVC: cementing socket	PTFE: threaded connection	PP: welding socket		
15	0,3 – 6,0 bar	d 20	G 1/2	d 20	3,1 m <sup>3</sup> /h	0,6
20	0,3 – 6,0 bar	d 25	G 3/4	d 25	9,8 m <sup>3</sup> /h	1,0
25	0,3 – 6,0 bar	d 32	G 1	d 32	10,3 m <sup>3</sup> /h	1,0
32	0,3 – 6,0 bar	d 40	G 1 1/4	d 40	23,2 m <sup>3</sup> /h	1,9
40	0,3 – 6,0 bar	d 50	G 1 1/2	d 50	24,0 m <sup>3</sup> /h	1,9
50	0,3 – 6,0 bar	d 63	G 2	d 63	29,6 m <sup>3</sup> /h	2,8

pressure-temperature-chart:



dimensions:



DN	D (mm)		A (mm)	B (mm)	C (mm)	E (mm)	F (mm)	G (mm)	H (mm)
	PVC / PP	PTFE							
15	20	G 1/2	129	16	14,5	74	62	M5	40
20	25	G 3/4	143	23	16,0	98	94	M6	60
25	32	G 1	143	23	16,0	98	94	M6	60
32	40	G 1 1/4	171	31	20,0	124	124	M8	80
40	50	G 1 1/2	171	31	20,0	124	124	M8	80
50	63	G 2	189	39	20,5	140	140	M8	90

article number:

Type	Material	Voltage	Seal	Function	Size
<b>KV04</b>	<b>1 – PVC</b> 2 – PTFE 4 – PP	1 – 230V 50Hz <b>2 – 24V DC</b>	<b>0 – EPDM</b> 1 – FKM	<b>0 – NC normally closed</b>	01 – DN15 02 – DN20 <b>03 – DN25</b> 04 – DN32 05 – DN40 06 – DN50

Example no. KV04120003:

**KV04** | **1** | **2** | **0** | **0** | **03**

2/2 way solenoid valve

Material: PVC

Voltage: 24V DC

Seal: EPDM

Function: NC normally closed

Size: DN 25

Image similar, subject change without notice.