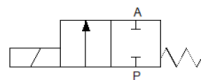
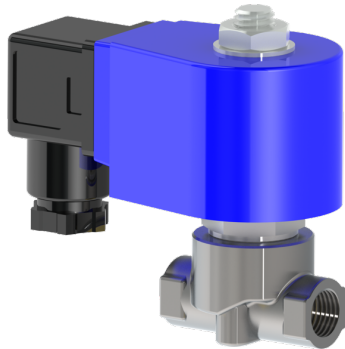


2/2-way solenoid valve stainless steel high pressure type EV10



description:

2/2-way solenoid valve made of stainless steel for high pressure applications. Ideal for machine and plant engineering. This valve switches at 0 bar (direct acting).

features:

- Suitable for **liquid & gaseous, neutral and not neutral media**
- Mounting position: any, preferably solenoid above

connection:
1/8", 1/4", 3/8" inch

control:
direct acting

function:
NC – normally closed

pressure:
0,0 – 120 bar – depending on design

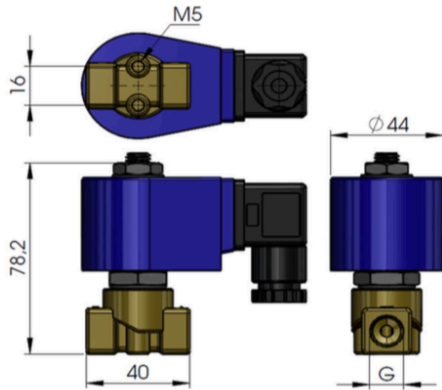
desing:	seat valves
Body material:	stainless steel 1.4408
seal:	EPDM, FKM (leakage acc. EN 12266-1: A)
voltage:	230V 50Hz 24V DC
voltage tolerance:	+/- 10% acc. VDE 0580
power consumption:	230V 50Hz: 6 VA (short-term inrush consumption 130 VA) 24V DC 9 Watt (short-term inrush consumption 130)
current consumption:	230V 50Hz: 26 mA (short-term inrush current 565 mA) 24V DC 375 mA (short-term inrush current 2083 mA)
duty:	100 % ED
Plug socket:	IP65 is plug socket mounted acc. DIN EN 175301-803 form A
viscosity:	≤20CST
mounting position:	any, preferably solenoid above
temperature:	ambient: max. + 50°C media: FKM – 10°C up to +120°C EPDM – 10°C up to +130°C
flow direction:	from 1 -> 2 (see marking on the housing)

DN	max. pressure	connection	flow rate
2,0 mm	0,0 – 120 bar	G 1/8" inch, G 1/4" inch	0,12 m³/h
4,0 mm	0,0 – 45 bar (35 bar*)	G 3/8" inch	0,51 m³/h

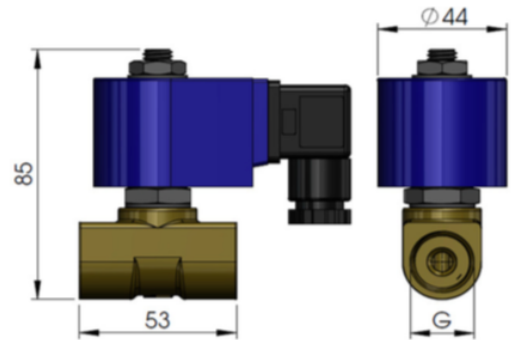
*with direct current the operating pressure will be reduced (see values in brackets)

dimensions:

DN2,0 connection G1/8" | G1/4" inch



DN4,0 connection G3/8" inch



Test meeting the requirement of PED acc. to DIN EN 12266-1:

The tightness corresponds to the specified leakage rates*:

type	soft seat**
EV10	A

* acc. to EN 12266-1

** Soft Seat: EPDM, FKM

article number

Type	Voltage	Seal	Function	Version	Size
EV10	1 – 230V 50Hz 2 – 24V DC	1 – EPDM 2 – FKM	0 – NC stromlos geschlossen	0 – Standard	00 – 1/8" 01 – 1/4" 02 – 3/8"

example No. EV10120002:

EV10 | 1 | 2 | 0 | 0 | 02

2/2 way solenoid valve stainless steel
 Voltage: 230V 50Hz
 Seal: FKM
 Function: NC normally closed
 Version: standard
 Size: 3/8"

Image similar, subject change without notice