

## 2/2-way solenoid valve stainless steel type EV06



**description:**

2/2-way solenoid valve made of stainless steel, with membrane for high flow rates. Ideal for machine and plant engineering. This valve switches at 0 bar (force pilot operated)

**features:**

- Suitable for **liquid & gaseous, neutral and not neutral media**
- Mounting position: any, preferably solenoid upwards

**connection:**

3/8", 1/2", 3/4", 1", 1 1/4",  
1 1/2", 2" inch

**control:**

force pilot  
operated

**function:**

NC – normally closed  
NO – normally open

**pressure:**

0,0 – 10 bar – depending on design

**design:**

**diameter:**

**body material:**

**seal:**

**voltage:**

**voltage tolerance:**

**power consumption:**

**duty:**

**plug socket:**

**plug:**

**viscosity:**

**temperature:**

seat valve with membrane

DN16, DN20, DN25, DN32, DN40, DN50

Stainless steel 1.4308

EPDM, NBR, FKM

230V 50Hz 24V DC

+/- 10% acc. VDE 0580

230V 50Hz: 20 VA / from DN32 57VA

24V DC: 20 Watt / from DN 32 45 Watt

100 % ED

IP65 is plug socket mounted DIN EN 175301-803 Form A

cable diameter 6-8 mm, thread PG 9, design A

≤20CST

ambient: max. + 50°C

media: FKM – 10°C up to +120°C

NBR – 10°C up to +90°C

EPDM – 10°C up to +130°C

**option:**

Explosion proof coil (up to DN25, only NC-valves, 0 – 6 bar):

II 2G Ex mb IIC T4 Gb, II 2D Ex mb tb IIIC T130°C Db

DN	max. pressure		Connection	flow rate
	NC – normally closed	NO – normally open		
16,0 mm	0,0 – 10 bar (8 bar*/6 bar**)	0,0 – 7 bar (0,0 – 5 bar*)	G 3/8" inch	4,1 m <sup>3</sup> /h
16,0 mm	0,0 – 10 bar (8 bar*/6 bar**)	0,0 – 7 bar (0,0 – 5 bar*)	G 1/2" inch	4,1 m <sup>3</sup> /h
20,0 mm	0,0 – 10 bar (8 bar*/6 bar**)	0,0 – 7 bar (0,0 – 5 bar*)	G 3/4" inch	6,5 m <sup>3</sup> /h
25,0 mm	0,0 – 10 bar (8 bar*/6 bar**)	0,0 – 7 bar (0,0 – 5 bar*)	G 1" inch	10,2 m <sup>3</sup> /h
32,0 mm	0,0 – 10 bar (6 bar*)	0,0 – 7 bar (0,0 – 5 bar*)	G 1 1/4" inch	20,6m <sup>3</sup> /h
40,0 mm	0,0 – 10 bar (6 bar*)	0,0 – 7 bar (0,0 – 5 bar*)	G 1 1/2" inch	24,9 m <sup>3</sup> /h
50,0 mm	0,0 – 10 bar (6 bar*)	0,0 – 7 bar (0,0 – 5 bar*)	G 2" inch	41,2 m <sup>3</sup> /h

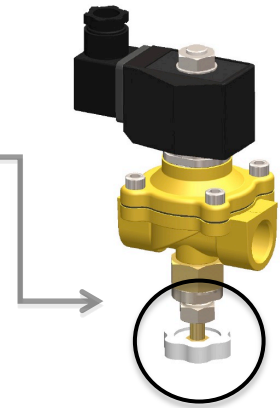
\* direct current reduces the working pressure

\*\* option Ex-proof only available up to 6 bar

**options:**

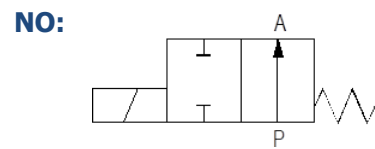
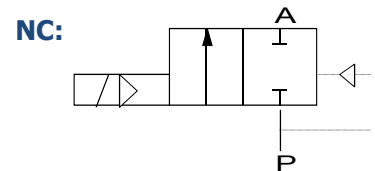
without oil and fat  
 plug socket mounted with LED  
 Bracket  
 manual actuation

Ex II 2G Ex mb IIC T4 Gb  
 II 2D Ex mb tb IIIC T130°C Db

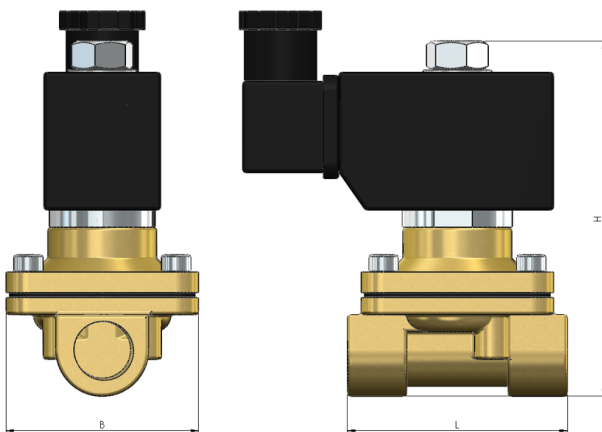


**dimensions:**

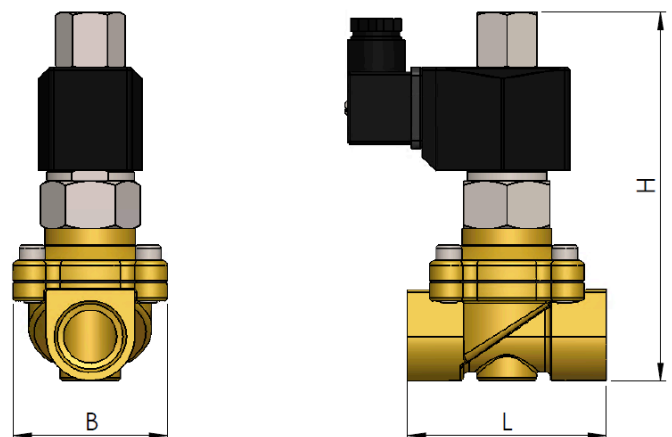
connection	DN	L	B	H (NC)	H (NO)
3/8" inch	16	69	57	106	135
1/2" inch	16	69	57	106	135
3/4" inch	20	73	57	114	142
1" inch	25	99	77	121	150
1 1/4" inch	32	112	87	150	180
1 1/2" inch	40	123	94	160	190
2" inch	50	168	123	183	216



**NC - Version:**



**NO - Version:**



**\*) dimensions for the ATEX version could vary.**

**Test meeting the requirement of PED acc. to DIN EN 12266-1:**

The tightness corresponds to the specified leakage rates\*:

type	soft seat**
EV06	A

\* acc. to EN 12266-1

\*\* Soft Seat: EPDM, FKM, NBR

**article number:**

Type	Voltage	Seal	Function	Option	Size
<b>EV06</b>	<b>1 – 230V 50Hz</b>	<b>1 - EPDM</b>	0 – NC normally closed	<b>0 – none</b>	02 – 3/8"
	2 – 24V DC*	2 – FKM	<b>1 – NO normally open***</b>	1 – Ex-proof****	03 – 1/2"
	3 – 110V AC**	4 - NBR			<b>04 – 3/4"</b> 05 – 1" 06 – 1 1/4" 07 – 1 1/2" 08 – 2"

**example No. EV06111004:**

<b>EV06</b>	<b>1</b>	<b>1</b>	<b>1</b>	<b>0</b>	<b>04</b>
-------------	----------	----------	----------	----------	-----------

2/2 way solenoid valve stainless steel

Voltage: 230V 50Hz

Seal: EPDM

Function: NO normally open

Version: none

Size: 3/4"

Note:

\* direct current reduces the working pressure

\*\* 110V AC version only available as NC – normally closed without Ex-proof

\*\*\* NO – normally open version max. pressure 0,0 – 7 bar

\*\*\*\* Explosion proof only available up to DN25 and as NC – normally closed function and reduced pressure

Image similar, subject change without notice.