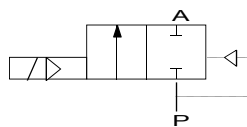
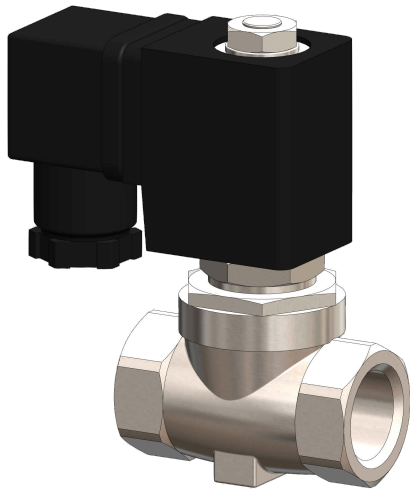


## 2/2-way solenoid valve stainless steel type EV04



**description:**

2/2-way solenoid valve made of stainless steel, very compact design for high flow rates. Ideal for machine and plant engineering. This valve switches at 0,1 bar (servo controlled solenoid valve)

**features:**

- Suitable for **liquid & gaseous, neutral and not neutral media**
- Mounting position: any, preferably solenoid above

**connection:**

1/4", 3/8", 1/2" inch

**control:**

servo controlled

**function:**

NC – normally closed

**pressure:**

0,1 – 16 bar – depending on design

**design:**

seat valve with membrane

**diameter:**

DN 8

**body material:**

stainless steel 1.4408

**seal:**

EPDM, NBR, FKM

**voltage:**

230V 50Hz                      24V DC

**voltage tolerance:**

+/- 10% acc. to VDE 0580

**power consumption:**

230V 50Hz:                      22 VA  
24V DC                              13 Watt

**duty:**

100 % ED

**plug socket:**

IP65 is plug socket mounted acc. DIN EN 175301-803 Form A

**plug:**

cable diameter 6-8 mm, thread PG 9, design A

**temperature:**

ambient:                              max. + 50°C  
media:                                      FKM – 10°C up to +120°C  
    NBR – 10°C up to +80°C  
    EPDM – 10°C up to +130°C

**DN**

8,0 mm  
8,0 mm  
8,0 mm

**max. pressure**

0,1 – 16 bar (10 bar\*)  
0,1 – 16 bar (10 bar\*)  
0,1 – 16 bar (10 bar\*)

**Connection**

G 1/4" inch  
G 3/8" inch  
G 1/2" inch

**flow rate**

1,03 m<sup>3</sup>/h  
1,03 m<sup>3</sup>/h  
1,03 m<sup>3</sup>/h

\* direct current reduces the working pressure

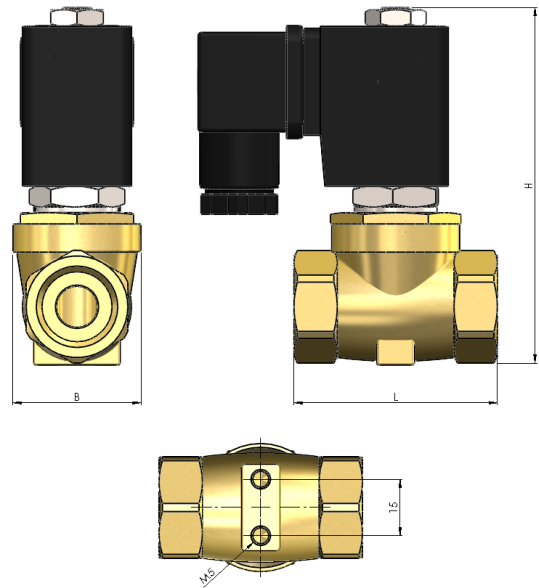
**options:**

without oil and fat  
plug socket mounted with LED  
Ex                                      II 2G Ex mII T4  
    II 3D IP65 T130°C



**dimensions:**

Connection	L (mm)	B (mm)	H (mm)
1/4" inch	54	33,5	95
3/8" inch	54	33,5	95
1/2" inch	54	33,5	95



**Test meeting the requirement of PED acc. to DIN EN 12266-1:**

The tightness corresponds to the specified leakage rates\*:

type	soft seat**
EV04	A

\* acc. to EN 12266-1

\*\* Soft Seat: EPDM, FKM, NBR

**article number:**

Type	Voltage	Seal	Function	Version	Size
<b>EV04</b>	<b>1 – 230V 50Hz</b> 2 – 24V DC	1 – EPDM <b>2 – FKM</b> 4 – NBR	<b>0 – NC normally closed</b>	<b>0 – standard</b>	01 – 1/4" <b>02 – 3/8"</b> 03 – 1/2"

**Example No. EV04120002:**

<b>EV04</b>	<b>  1</b>	<b>  2</b>	<b>  0</b>	<b>  0</b>	<b>  02</b>
-------------	------------	------------	------------	------------	-------------

2/2 way solenoid valve stainless steel  
 Voltage: 230V 50Hz  
 Seal: FKM  
 Function: NC normally closed  
 Version: standard  
 Size: 3/8"

Image similar, subject change without notice.