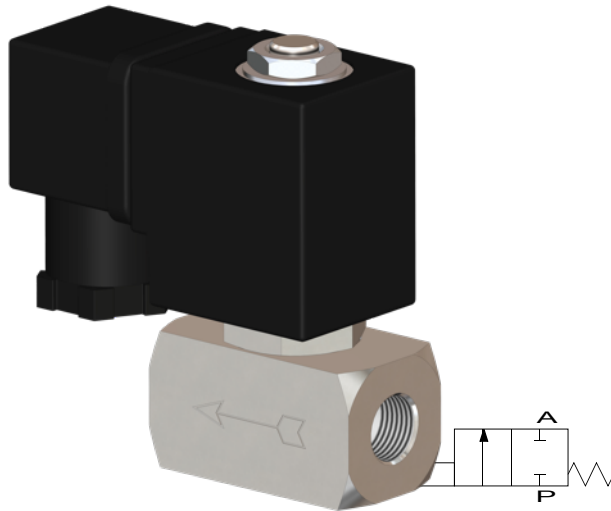


## 2/2-way solenoid valve stainless steel type EV03



**description:**

2/2-way solenoid valve made of stainless steel, very compact design for high flow rates. Ideal for machine and plant engineering. This valve switches at 0 bar (directly acting solenoid valve)

**features:**

- Suitable for **liquid & gaseous, neutral and not neutral media**
- Mounting position: any, preferably solenoid above

**connection:**  
1/4" inch

**control:**  
direct acting

**function:**  
NC – normally closed

**pressure:**  
0 – 48 bar – depending on design

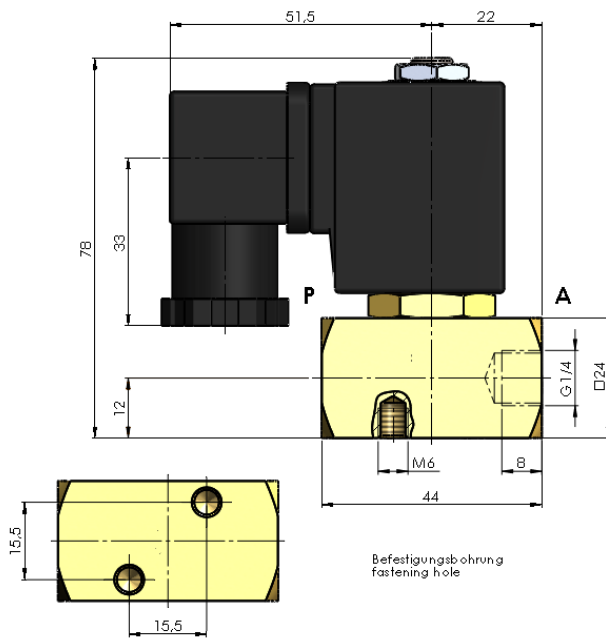
<b>design:</b>	seat valve
<b>diameter:</b>	DN 2,0 / DN 2,5 / DN 3,0 / DN 4,0 / DN 6,0
<b>body material:</b>	stainless steel 1.4301
<b>seal:</b>	FKM, EPDM
<b>voltage:</b>	230V 50Hz                      24V DC
<b>voltage tolerance:</b>	+/- 10% acc. VDE 0580
<b>power consumption:</b>	230V 50Hz:                      15 VA
	24V DC                              18 Watt
<b>duty:</b>	100 % ED
<b>plug socket:</b>	IP65 is plug socket mounted acc. DIN EN 175301-803 Form A
<b>plug:</b>	cable diameter 8 mm, thread PG 9, design A
<b>temperature:</b>	ambient:                              Max. + 50°C
	media:                                      FKM – 10°C up to 120°C
	EPDM -10°C up to 120°C

DN	max. pressure	Connection	flow rate
2,0 mm	0 – 48 bar (38 bar*)	G 1/4" inch	2,3 l/min
2,5 mm	0 – 30 bar (24 bar*)	G 1/4" inch	3,0 l/min
3,0 mm	0 – 20 bar (16 bar*)	G 1/4" inch	3,7 l/min
4,0 mm	0 – 10 bar (8 bar*)	G 1/4" inch	6,5 l/min
6,0 mm	0 – 6 bar (4,8 bar*)	G 1/4" inch	9,5 l/min

\* direct current reduces the working pressure

**options:**                              without oil and fat  
    plug socket mounted with LED

**dimensions:**



**Test meeting the requirement of PED acc. to DIN EN 12266-1:**

The tightness corresponds to the specified leakage rates\*:

type	soft seat**
EV03	A

\* acc. to EN 12266-1

\*\* Soft Seat: EPDM, FKM

**article number:**

Type	Voltage	Seal	Function	Version	Size
<b>EV03</b>	<b>1 – 230V 50Hz</b> 2 – 24V DC	1 – EPDM 2 – FKM	<b>0 – NC normally closed</b>	<b>0 – standard</b>	20 – DN 2,0 25 – DN 2,5 <b>30 – DN 3,0</b> 40 – DN 4,0 60 – DN 6,0

**Example No. EV03120030:**

**EV03 | 1 | 2 | 0 | 0 | 30**

2/2 way solenoid valve stainless steel  
 Voltage: 230V 50Hz  
 Seal: FKM  
 Function: NC normally closed  
 Version: standard  
 Size: DN 3,0

Image similar, subject change without notice.