

Sight flow indicator TYPE GS01 / GS02 / GS03



Description:

Sight flow indicators with thread connection are used for optical control of fluids and gases, for horizontal and vertical pipelines.

Product features:

- suitable for neutral and non-neutral **liquids and gaseous media.**
- with flap
- with PTFE-spinner (only liquid media)
- **installation position:**
with flap: horizontal or vertical with direction of flow from the bottom up standard or with spinner: any position

Connection:

1/4", 3/8", 1/2", 3/4", 1", 1 1/4", 1 1/2", 2"

Working pressure:

max. 16 bar – depending on design

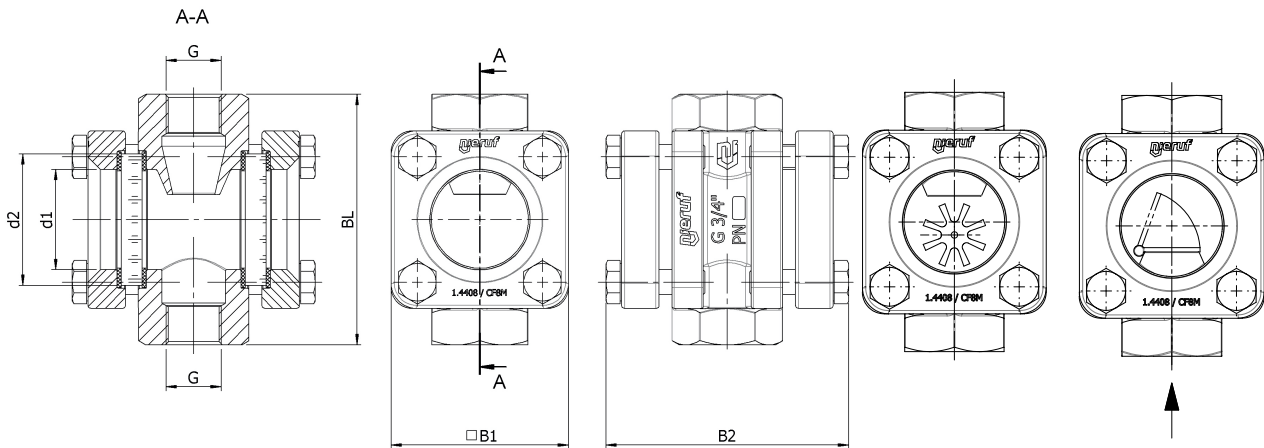
Materials:

Component	Type GS01	Type GS02	Type GS03
Body	Grey cast iron GG25 (EN-GJL-250)	Carbon steel GS-C 25	Stainless steel 1.4408
Cover	Grey cast iron GG25 (EN-GJL-250)	Carbon steel -C 25	Stainless steel 1.4408
Seal	graphite	graphite	graphite
Screw	4.6 / 5.6 vz	4.6 / 5.6 vz	A4
Temperature	Min. -10°C	Min. -10°C	Min. -60°C (down to -200°C on request)
Glass	Soda lime glass DIN 8902 / to +150°C borosilicate glass DIN 7080 / to +280°C		

Pressure – Temperature – Application limits:

operating temperature up to °C	120	150	200	250	280
PN 16	16	15	14	13	11

Dimensions:



Diameter G	1/4"	3/8"	1/2"	3/4"	1"	1 1/4"	1 1/2"	2"
PN	40	40	40	16	16	16	16	16
BL	100	100	100	120	120	160	160	230
d1	32	32	32	48	48	65	65	80
d2	45	45	45	63	63	80	80	100
S	10	10	10	10	10	12	12	15
B1	70	70	70	85	85	110	110	120
B2	108	108	108	116	116	147	147	174

Torque in (Nm):

Glass d2 in mm	d1 in mm	4x M8	4x M10	4x M12	4x M14	4x M16	8x M16
45	32	10	12	--	--	--	--
63	48	12	20	23	--	--	--
80	65	--	23	30	--	40	--
100	80	--	--	42	--	70	35
125	100	--	--	--	65	--	50
150	125	--	--	--	--	100	60
175	150	--	--	--	--	--	80
200	175	--	--	--	--	--	90

Article number:

	Type GS01	Type GS02	Type GS03
Body	Grey cast iron GG25 (EN-GJL-250)	Carbon steel GS-C 25	Stainless steel 1.4408
Cover	Grey cast iron GG25 (EN-GJL-250)	Carbon steel -C 25	Stainless steel 1.4408
Seal	graphite	graphite	graphite

Type	Glass	Design	Size
GS01	01 – Soda lime glass	00 – standard	01 – 1/4"
GS02	02 – borosilicate glass	01 – with flap	02 – 3/8"
GS03		02 – with PTFE-spinner	03 – 1/2"
			04 – 3/4"
			05 – 1"
			06 – 1 1/4"
			07 – 1 1/2"
			08 – 2"

Example GS02010005:

GS02 | **01** | **00** | **05**

Sight flow indicator made of carbon steel

Design: standard

Glass: Soda-lime-glass

Size: 1" Inch

Image similar, subject change without notice.