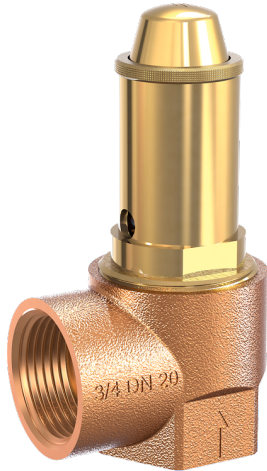


# diaphragm safety valve TYPE SV16



**Description:**

Safety valves are used to protect a closed system, pressure tanks etc. against overpressure.

**Features:**

- suitable for neutral **liquid media**.
- with lifting mechanism
- TUV-type test approval letter F
- EC type examination Letter F
- Safety valves are set and sealed at the factory

**Connection:**

1/2", 3/4", 1", 1 1/4", 1 1/2", 2"

**Temperature:**

-50°C to +150°C – depending on design

**Set pressure:**

1,0 bar – 16,0 bar

**Materials:**

Component	Material	DIN EN	ASME
Body	Gunmetal CC499K	CC499K	CC499K
Internal parts	brass CW617N	CW617N	CW617N
Spring	spring steel	1.1200	ASTM A228

**Seal:**

<b>EPDM</b>	Ethylene-Propylene-Diene	-50C to +150°C
<b>NBR</b>	Nitril-Butadiene	-30°C to +130°C

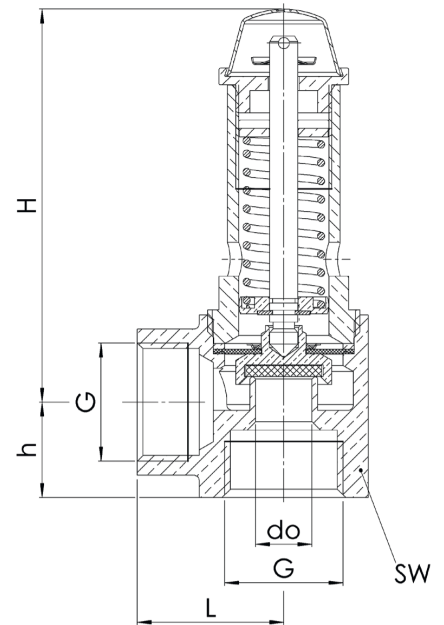
**Approvals:**

AD 2000 sheet A2 | DIN ISO 4126-1 | DGR 2014/68/EU | TRD 421

**Dimensions:**

Diameter DN	15	20	25	32	40	50
G*	1/2"	3/4"	1"	1 1/4"	1 1/2"	2"
L	26	31	35	40	46	54
H	70	70	80	100	140	155
H	17	18	22	25	28	34
SW	27	32	40	49	56	68
Do	10	13	16	18	22	25
weight kg	0,2	0,3	0,5	0,7	1,2	1,6
Set pressure bar	1-16	1-16	1-16	1-16	1-16	1-16

\* connection acc. to DIN EN ISO 228



**Capacity table:**

**Blowing-off rates at 10% above set pressure**

DN	15	20	25	32	40	50
set pressure bar	Water m <sup>3</sup> /h	Water m <sup>3</sup> /h	Water m <sup>3</sup> /h	Water m <sup>3</sup> /h	Water m <sup>3</sup> /h	Water m <sup>3</sup> /h
1,0	1,51	2,55	3,87	4,89	7,31	9,44
1,5	1,85	3,13	4,73	5,99	8,95	11,56
2,0	2,14	3,61	5,47	6,92	10,33	13,35
2,5	2,39	4,03	6,11	7,73	11,55	14,92
3,0	2,62	4,42	6,69	8,47	12,66	16,34
3,5	2,82	4,77	7,23	9,15	13,67	17,65
4,0	3,02	5,10	7,73	9,78	14,62	18,87
4,5	3,20	5,41	8,20	10,38	15,50	20,02
5,0	3,38	5,71	8,64	10,94	16,34	21,10
5,5	3,54	5,98	9,06	11,47	17,14	22,13
6,0	3,70	6,25	9,47	11,98	17,90	23,11
6,5	3,85	6,51	9,85	12,47	18,63	24,06
7,0	3,99	6,75	10,23	12,94	19,33	24,97
7,5	4,13	6,99	10,59	13,40	20,01	25,84
8,0	4,27	7,22	10,93	13,84	20,67	26,69
8,5	4,40	7,44	11,27	14,26	21,30	27,51
9,0	4,53	7,65	11,60	14,68	21,92	28,31
9,5	4,65	7,86	11,91	15,08	22,52	29,08
10	4,77	8,07	12,22	15,47	23,11	29,84
11	2,78	6,82	12,82	14,42	23,56	31,30
12	2,91	7,12	13,39	15,06	24,61	32,69
13	3,02	7,41	13,94	15,68	25,62	34,02
14	3,14	7,69	14,46	16,27	26,58	35,31
15	3,25	7,96	14,97	16,84	27,52	36,55
16	3,36	8,22	15,46	17,39	28,42	37,75

**Article number:**

Type	lifting mechanism	Connection	Seal	Size
<b>SV16</b>	<b>0</b> – twist-type	<b>0</b> – female thread	01 – EPDM <b>04</b> – NBR	03 – 1/2" 04 – 3/4" <b>05</b> – 1" 06 – 1 1/4" 07 – 1 1/2" 08 – 2"
<b>SV16000405:</b> <b>SV16</b>	<b>0</b>	<b>0</b>	<b>04</b>	<b>05</b>

Article number. SV16000405  
 Safety valve made of gunmetal  
 Internal parts brass  
 Lifting mechanism: twist type  
 Connection: male thread  
 Seal: NBR  
 Size: 1" Inch

Image similar, subject change without notice.