

Proportional motorised valve TYPE ED01



description:

Electrical proportional valves made of stainless-steel are used to control the flow in a system. The electrical actuator allows to regulate the flow proportional to the input signal.

features:

- suitable for **liquid & gaseous** media
- actuator rotatable through 360°
- anti-waterhammer design (fluid entry under the disc)
- LED indicators for valve status display
- Valve keeps position in case of power failure
- vacuum operation up to 10⁻² mbar
- high flow-rates

diameter:

3/8", 1/2", 3/4" inch

construction:

with electric actuation

pressure:

0 – 10 bar

design:

motorised proportional valve

body material:

stainless steel 1.4404

top cover material:

translucent polyamide (PA)

seal:

FKM/FPM

mandrel seal:

FKM/FPM

pressure:

0 – 10 bar static

Differential pressure see table dimensions

setpoint:

0 – 10 Volt (input resistance 10kΩ)

4 – 20mA (input resistance 500Ω)

motor consumption:

12W in operation | <2W holding phase/setpoint position

Max. peak current 0,7 A

display:

LED

voltage:

24V DC +/-10%, max. ripple 5%

connector specification:

EN 175301-803, form A

enclosure protection:

IP65 (EN60529)

temperature:

media: -10°C up to +145°C

ambient: -10°C up to +50°C (steam and hot media up to +40°C)

actuating time:

<1,3 s full opening | <1,3 s full closing

mounting position:

any

viscosity:

max. 600 mm²/s

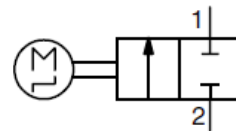
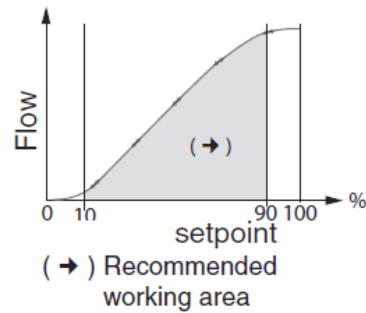
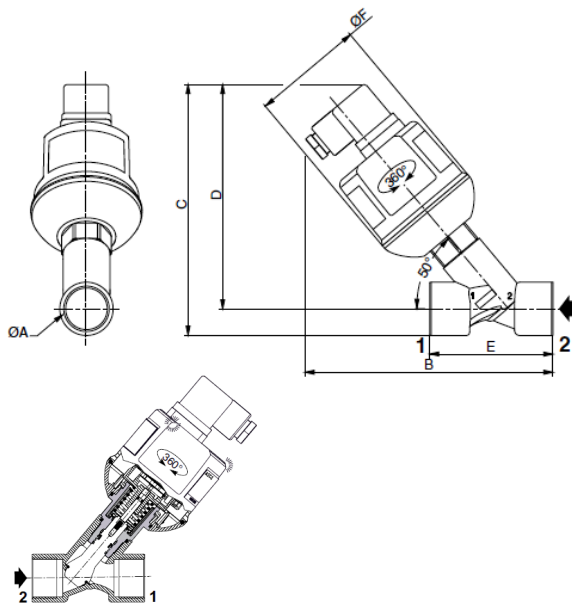
flow regulation characteristics:

linearity ±5%; hysteresis < 3%; accuracy <3%; sensitivity < 3%; repeatability <3%

dimensions:

DN	ØA	B	C	D	E	ØF	kg	(l/min)	(m ³ /h)*	Min. (bar)	Max. (bar)	Max. (bar) steam
10	3/8"	135	141	129	55	67	0,45	45	2,7	0	6	4
15	1/2"	142	145	131	65	67	0,55	63	3,8	0	5	4
20	3/4"	150	152	136	75	67	0,65	100	6,0	0	4	4

*) KVS value 100% open



status

valve OPEN
valve CLOSED
valve moves to open
valve moves to close

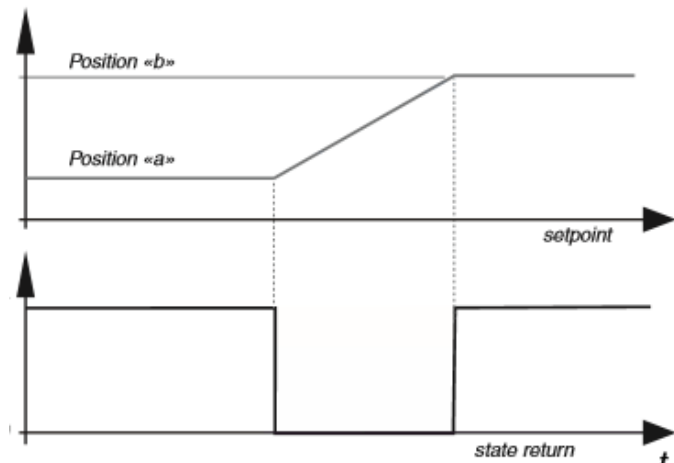
LED

green
orange
green flashing
green flashing

wiring DC:

24V DC +/-10%

- | | |
|---|-------------------------------|
| 1 | 24 V DC |
| 2 | 0 V |
| 3 | setpoint (0-10V or 4-20mA) |
| 4 | feedback signal (24 V switch) |



Switching cycles:

The switching cycles depend on the ambient and media temperature.
For rough orientation, see the following table:

Media temperature	-10°C	+20°C	+40°C	+50°C	+50°C
Ambient temperature	-10°C	+20°C	+145°C	+50°C	+120°C
Cycles / min		9	2	4	2

Features:

- ready-to-use valve
- long service life
- High flow due to angled seat design
- Fluid isolation between motorised actuator and valve body
- LED indicators for valve status display
- Valve tight at closing position (FCI 70-2 class V)
- Valve satisfy Pressure Equipment Directive 2014/64/EU, article 4.3
- Proportional motorised valve complies with the essential requirements of EMC Directive 2014/30/EU (EN-IEC 61000-6-2 and EN-IEC 61000-6-4)
- Valve satisfies all relevant EU Directives and with the provisions of the Directive RoHS 2

article number:

type	connection	setpoint	size
ED01	00 – female thread	00 – 0 - 10 Volt 01 – 4 – 20mA	02 – 3/8" 03 – 1/2" 04 – 3/4"

example no. ED01000003:

ED01	00	00	03
-------------	-----------	-----------	-----------

article no.. ED01000003

proportional motorised valve made of stainless steel

setpoint: 0-10 Volt

connection: female thread BSP-P

size: 1/2"

Image similar, subject change without notice.