

m-bar pressure reducing valve DM23 | DM24



Description:

Stainless steel pressure reducing valves are used to regulate the supply pressure in a system, to compensate for different inlet pressures to a certain pressure in the outlet side.

Features:

- suitable for **air & neutral gases**
- suitable for **aggressive water and other aggressive fluids**
- made of stainless steel 1.4408
- double-ended G 1/4" inch manometer fitting (for outlet pressure)
- No limited reduction ratio
- continuously adjustable outlet pressure
- assembly position: horizontal, bonnet pointing downwards

Connection:

DN15, DN20, DN25, DN32, DN40, DN50

Temperature:

-30°C to +180°C

Pressure:

Inlet pressure: 0,5 to 10,0 bar

Outlet pressure: 7 – 500 mbar

Depending on design

Depending on design

Subject to PED 2014/68/EU

Design:

diaphragm-controlled pressure reducing valve

Body:

Stainless steel 1.4408

Spring bonnet:

Stainless steel 1.4408

membrane / seal:

TYPE DM23

FKM / PTFE

-10°C to +180°C

TYPE DM24

EPDM*/ PTFE

-30°C to +120°C

Internals:

Stainless steel 1.4404

Assembly position:

horizontal, bonnet pointing downwards

Connection:

Female thread acc. ISO 228

NPT-thread ASME B1.20.1

Flange acc. to DIN EN 1092 PN40

Flange acc. to ANSI 150

Pressure range:

spring 00

Outlet pressure

7 to 100 mbar

Inlet pressure

0,5 to 10,0 bar

spring 01

30 to 500 mbar

0,5 to 10,0 bar

spring 02

50 to 200 mbar

0,5 to 10,0 bar

spring 03

150 to 500 mbar

0,5 to 10,0 bar

Minimum pressure difference:

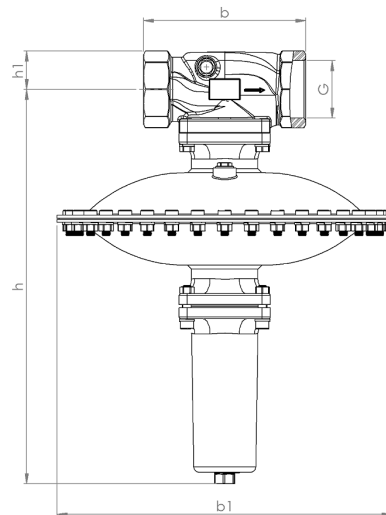
Inlet-/outlet pressure 0,3 bar

***Note:** Type DM24 with EPDM seal comes with FDA-conformity, therefor it can be used for food-applications.

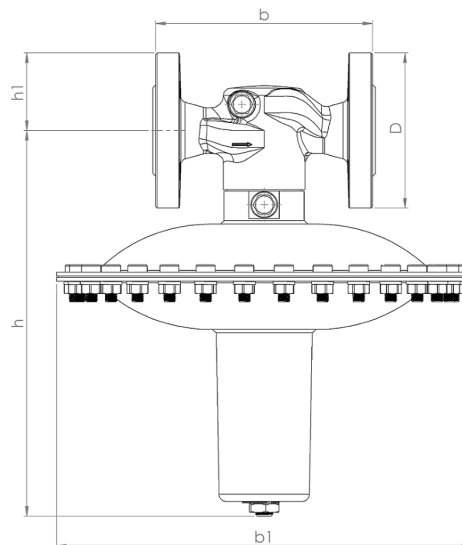
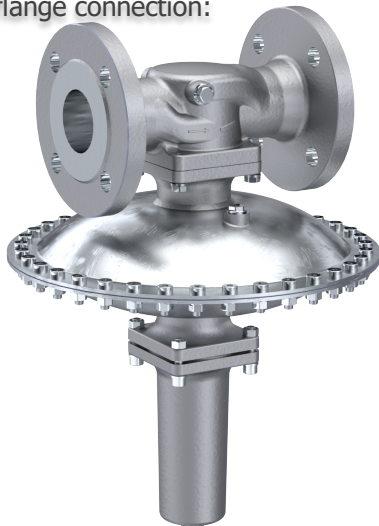
Dimensions:

Diameter DN	15	20	25	32	40	50
Female thread ISO 228 (G)	1/2"	3/4"	1"	1 1/4"	1 1/2"	2"
b1 in mm	280	280	280	280	330	330
b in mm	95	95	110	120	150	160
h1 in mm	29	29	39	39	37	37
h in mm	261	261	267	267	388	388
Gewicht kg	7,0	7,0	7,8	7,8	15,2	15,1
Flange DIN EN 1092	PN40	PN40	PN40	PN40	PN40	PN40
b1 in mm	280	280	280	280	330	330
b in mm	130	150	160	180	200	230
h1 in mm	48	53	58	70	75	83
h in mm	261	261	267	267	388	388
D in mm	95	105	115	140	150	165
weight kg	8,5	9,3	10,1	11,4	18,9	20,7
kvs-value m3/h of spring 00	2,5	2,5	2,5	2,5	3,0	3,0
kvs-value m3/h of spring 01	2,5	2,5	2,5	2,5	3,0	3,0
kvs-value m3/h of spring 02	4,3	5,5	5,6	6,3	14,9	16,3
kvs-value m3/h of spring 03	4,3	5,5	5,6	6,3	14,9	16,3

With female thread:



With flange connection:



Article number:

Type	Outlet pressure	Connection	Size
DM23 – FPM	00 – 7 up to 100 mbar	00 – female thread ISO 228	03 – DN15
DM24 – EPDM	01 – 30 up to 500 mbar	01 – NPT-thread ASME B1.20.1	04 – DN20
	02 – 50 up to 200 mbar	02 – flange DIN EN 1092 PN 40	05 – DN25
	03 – 150 up to 500 mbar	03 – flange ANSI 150	06 – DN32
			07 – DN40
			08 – DN50

Example No. DM13000007:

DM23 | **00** | **00** | **07**

Pressure reducing valve made of stainless steel

Outlet pressure: 7 up to 100 mbar

Membrane: FPM

Connection: female thread ISO 228

Size: DN40

Image similar, subject change without notice.