

Pressure reducing valve TYPE DM10



Description:

Stainless steel pressure reducing valves are used to regulate the supply pressure in a system, to compensate different inlet pressures to a certain pressure in the outlet side.

Features:

- suitable for aggressive water and other aggressive fluids
- **also suitable for air & neutral non-inflammable gases**
- industrial design
- integrated filter and 1 pressure gauge connection G 1/4" inch
- mounting position: any

Connection:

1/2", 3/4", 1", 1 1/4", 1 1/2", 2"

Temperature:

-10°C to + 190°C

Pressure:

Inlet pressure: to 40,0 bar
Outlet : 2,0 bar – 20,0 bar

Subject to PED 2014/68/EU category I

Design:

Body:

Material spring bonnet:

Regulating piston:

Seals:

Inner party:

Assembly position:

Connection:

Minimum pressure difference:

Temperature:

Piston pressure reducing valve

stainless steel 1.4408

stainless steel 1.4408

stainless steel 1.4408

FKM / FPM

stainless steel 1.4404

any, preferably vertical

female thread ISO 228 or NPT

male thread ISO 7 / BSP-T

Inlet-/outlet pressure appr. 1 bar

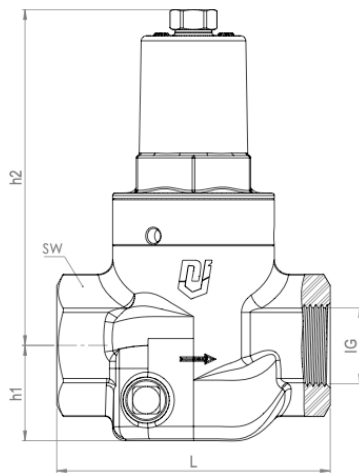
Max. +190°C / not suitable for steam!

Dimensions:

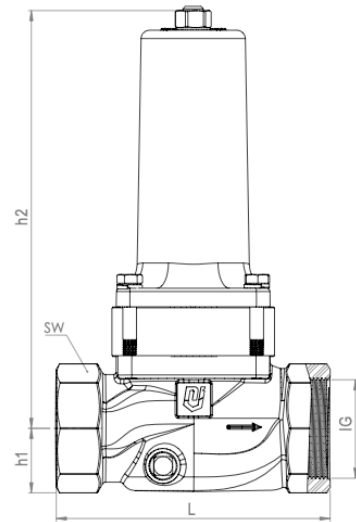
Female thread:

Diameter DN	15	20	25	32	40	50
Female thread G	1/2"	3/4"	1"	1 1/4"	1 1/2"	2"
h1	29	29	38	38	38	38
h2	133	133	133	133	243	243
L	95	95	110	120	150	160
Kvs-value m3/h	2,9	3,9	5,4	6,1	9	13
Strainer mesh size	0,32	0,32	0,32	0,32	0,6	0,6
Weight kg	1,7	1,7	2,6	2,5	6,8	6,7

DN15-DN25



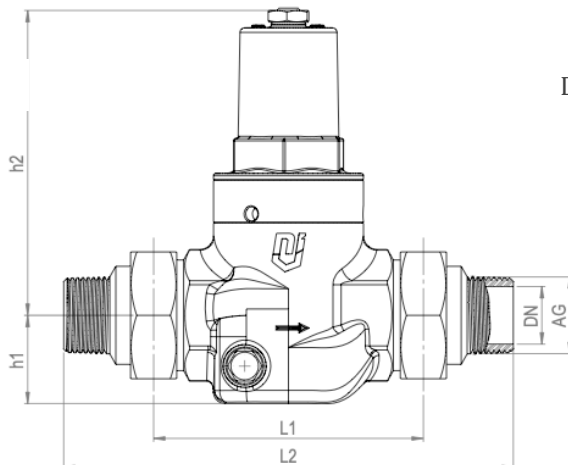
DN32-DN50



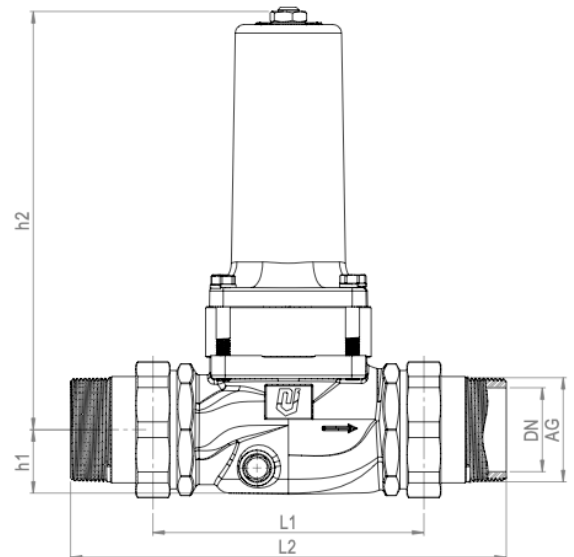
Male thread:

Diameter DN	15	20	25	32	40	50
Male thread R	1/2"	3/4"	1"	1 1/4"	1 1/2"	2"
h1	29	29	38	38	39	39
h2	133	133	133	133	243	243
L1	105	105	122	122	160	160
L2	168	168	195	195	250	250
Kvs-value m3/h	2,9	3,9	5,4	6,1	9	13
Strainer mesh size	0,32	0,32	0,32	0,32	0,6	0,6
Weight kg	2,0	2,0	3,3	3,3	8,0	8,0

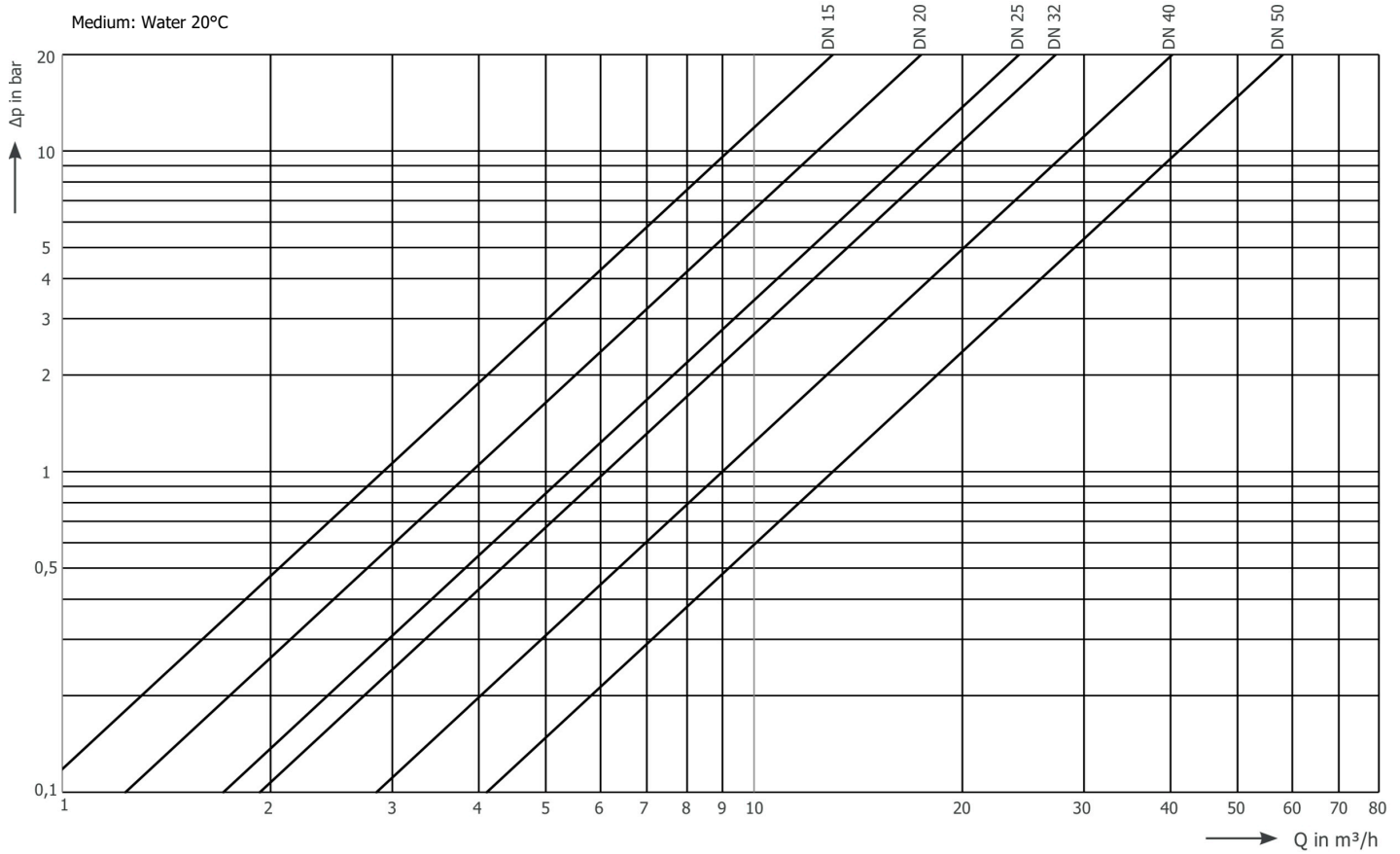
DN15-DN25



DN32-DN50



Pressure-temperaute.diagram:



Article number:

Type	Outlet pressure	Connection	Size
DM10	00 – 2,0 up to 20,0 bar	00 – female thread BSP 01 – female thread NPT	03 – 1/2" 04 – 3/4" 05 – 1" 06 – 1 1/4" 07 – 1 1/2" 08 – 2"

Example No. DM10000007:

DM10 | **00** | **00** | **07**

Pressure reducing valve made of stainless steel
 Outlet pressure: 2,0 up to 20,0 bar
 Connection: female thread BSP
 Size: 1 1/2"

Image similar, subject change without notice.