

## pressure-control-valve type MD03



### description:

Pressure-control-valve for pressure air and neutral gaseous media to control pressure supply in a pipeline system. Pressure-control-valve back controllable (secondary ventilation).

### product features:

- suitable for neutral gaseous media, oiled and non-oiled pressure air
- pressure-control-valve back controllable (secondary ventilation)
- lockable handwheel

### connection:

G 3/4", G 1"

### temperature:

0°C up to +50°C

### pressure:

pressure entry max. 12 bar

### design:

pressure-control-valve with diaphragm and secondary ventilation

### body material:

plastic PA66

### seals:

NBR

### diaphragm:

NBR

### primary pressure:

up to 16,0 bar

### range of adjustment:

0,5 – 8,0 bar

### media:

non-oiled and oiled pressure air, neutral gaseous media

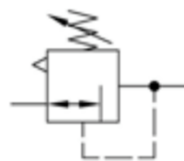
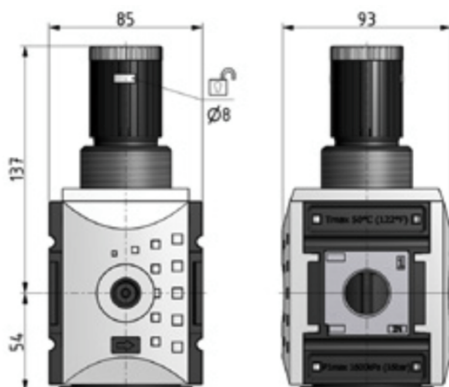
### manometer:

external manometer included with delivery

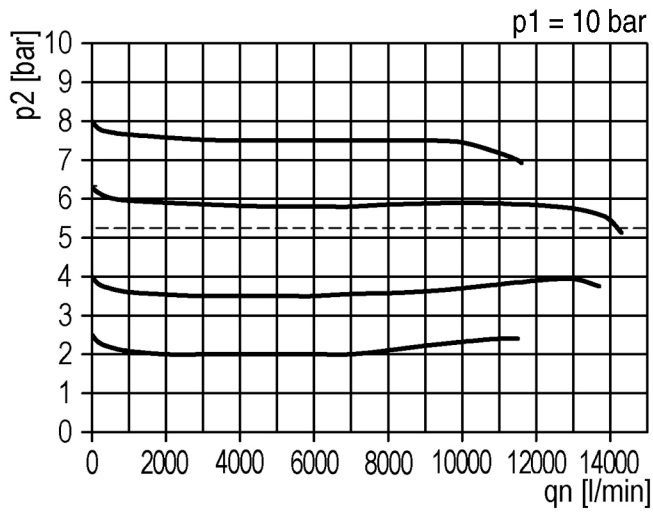
### internal air consumption:

max. 1,5 l/min

### dimensions:



flow rate and hysteresis:



article number:

Type	range of adjustment	Seal	diameter
MD03	00 – 0,5 - 8,0 Bar	00 – NBR	04 – G 3/4" 05 – G 1"

pressure-control-valve with diaphragm and secondary ventilation made of plastic  
 primary pressure max. 16 bar  
 seal: NBR  
 diameter: G 3/4"

Image similar, subject change without notice.