

Needle valve type NV02



Description:

A Needle valve is useful if a liquid or gaseous media has to be regulated exactly or the flow rate has to be metered accurately.

Features:

- suitable for neutral and not neutral **gaseous & liquid media**
- accurate regulation
- with handwheel

connection:

1/8", 1/4", 3/8", 1/2", 3/4", 1", 1 1/4", 1 1/2", 2" Inch

construction:

with handwheel

pressure:

0 – 100 bar – depending on design

Design:

with female thread

Body:

Brass

Upper part:

Brass

Spindle:

Brass

Handwheel:

to 1" plastic from 1 1/4" sheet metal

Temperature:

-20°C up to + 100°C

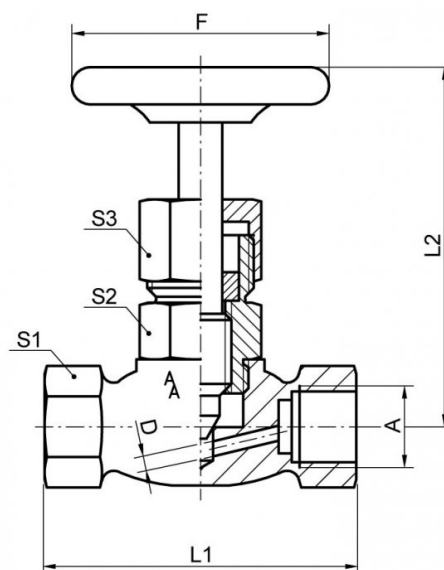
Pressure:

0 – 100 bar

Packing material:

PTFE

A	DN	PN	L1	L2	F	S1	Kv-Value
		bar	mm	mm	mm	mm	[m ³ /h]
G 1/8"	4	100	50	78	50	22	0,24
G 1/4"	5	100	50	78	50	22	0,48
G 3/8"	6	100	50	78	50	22	0,6
G 1/2"	6,5	100	55	78	63	25	0,65
G 3/4"	9	100	67	90	63	32	1,0
G 1"	11	100	75	93	63	41	1,6
G 1 1/4"	13	100	110	118	90	55	3,0
G 1 1/2"	15	100	110	118	90	60	3,0
G 2"	15	100	112	120	90	70	3,3



Pressure reduction at high temperature:

Temperature	50°C	100°C
Pressure reduction	6%	15%

Article number:

type	material	actuation	size
NV02	00 – brass	00 – handwheel	00 – 1/8" 01 – 1/4" 02 – 3/8" 03 – 1/2" 04 – 3/4" 05 – 1" 06 – 1 1/4" 07 – 1 1/2" 08 – 2"

example no. NV02000008:

NV02	00	00	08
-------------	-----------	-----------	-----------

article no. NV02000008

needle valve

material: brass

actuation: handwheel

size: 2"

Image similar, subject change without notice.