

Needle valve type NV01



description:

A Needle valve is useful if a liquid or gaseous media has to be regulated exactly or the flow rate has to be metered accurately.

features:

- suitable for neutral and not neutral **gaseous & liquid media**
- accurate regulation
- with handwheel

connection:

1/8", 1/4", 3/8", 1/2", 3/4", 1", 1 1/4", 1 1/2", 2" Inch

construction:

with handwheel

pressure:

0 – 400 bar – depending on design

Design:

Close-coupled design with female thread

Body:

Steel (blue galvanized) or stainless steel 1.4571

Upper part:

Steel (blue galvanized) or stainless steel 1.4571

Spindle steel:

Stainless steel 1.4104

Spindle stainless steel:

Stainless steel 1.4571

Seal:

Steel: Graphite / Stainless steel: PTFE

Handwheel:

to 3/4" plastic from 1" sheet metal

Temperature:

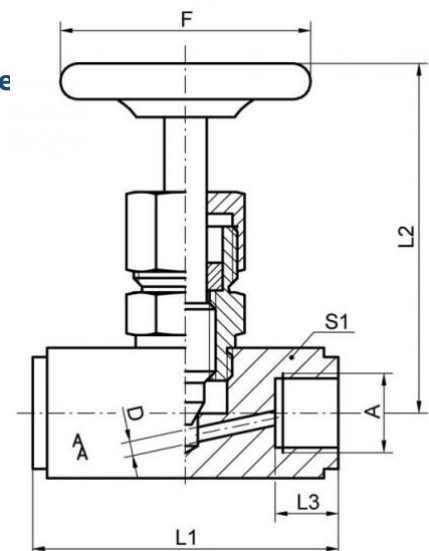
Steel: -20°C up to max. +350°C

Stainless steel: -20°C up to max. +350°C

Pressure:

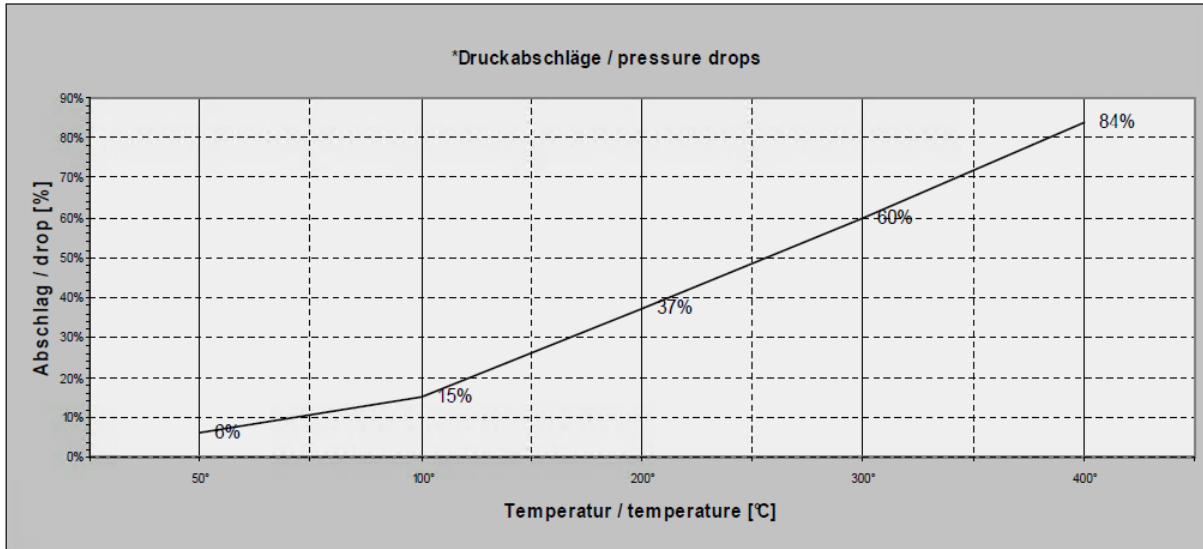
0 – 400 bar (depending on design)

A	DN	PN	L1	L2	L3	F	S1	Kv-value
		bar	mm	mm	mm	mm	mm	[m ³ /h]
G 1/8"	4	400	45	85	11	50	25	0,33
G 1/4"	5	400	55	85	15	50	25	0,42
G 3/8"	6	400	55	85	15	50	25	0,53
G 1/2"	7	400	60	85	17	63	30	0,66
G 3/4"	9	200	75	105	19	63	35	1,43
G 1"	12	200	100	125	21	90	45	2,2
G 1 1/4"	15	160	110	155	22	100	60	3,0
G 1 1/2"	22	120	130	160	24	100	70	7,5
G 2"	22	120	130	160	28	100	70	7,24



Pressure reduction at high temperature:

Temperature	50°C	100°C	200°C	300°C	400°C
Pressure reduction	6%	15%	37%	60%	84%



Article number:

type	material	actuation	size
NV01	00 – stainless steel 01 – steel	00 – handwheel	00 – 1/8" 01 – 1/4" 02 – 3/8" 03 – 1/2" 04 – 3/4" 05 – 1" 06 – 1 1/4" 07 – 1 1/2" 08 – 2"

example no. NV01000008:

NV01	00	00	08
-------------	-----------	-----------	-----------

article no. NV01000008

needle valve

material: stainless steel

actuation: with handwheel

size: 2"

Image similar, subject change without notice.