

Manual actuators Type HB04



description:

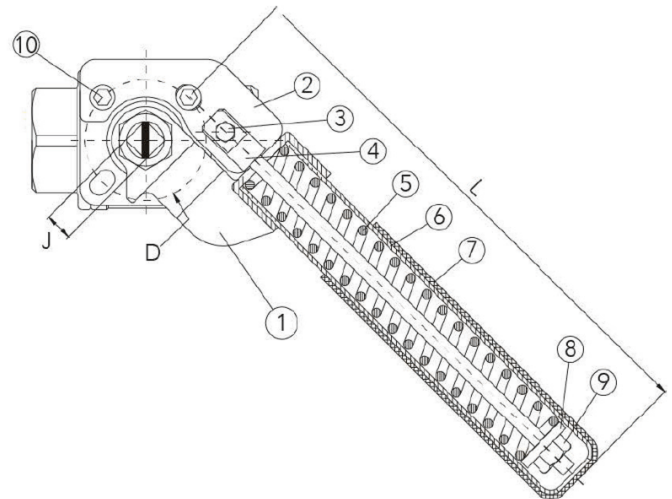
Manual actuators "Dead man handle" with spring loaded closing or opening function for valves with ISO5211 flange.

features:

- Robust design, therefore long service life
- optional locking device
- direct mounting on valves with ISO5211 flange
- can be mounted with spring-opening or spring-closing function

material:

No.	description	material
1	Lever head	1.4308
2	Holder	1.4408
3	Screw holder	1.4408
4	Spring clip	1.4408
5	spring	1.4310
6	Hand lever extension	1.4308
7	Handle	PVC blue
8	Underlay ring	1.4308
9	Hexagon nut	1.4308
10	Hexagon socket screw	1.4308



Dimension and articlenumber:

Article-No.	L	J	D (ISO5211)	Nm (max.)	weight
HB04000000	170	9	F03/F04	15	0,37
HB04000001	207	9	F03/F04	20	0,43
HB04000002	220	11	F04/F05	20	0,47
HB04000003	275	11	F04/F05	30	0,57
HB04000004	280	14	F05/F07	30	0,38
HB04000005	450	14	F05/F07	55	0,88
HB04000006	500	22*	F10/F12	100	4,8

*) can be reduced by reducing sleeves.

Other dimensions (ISO flange & square spindle) than the specified must be mounted by bridge and adapter!

Image similar, subject change without notice.