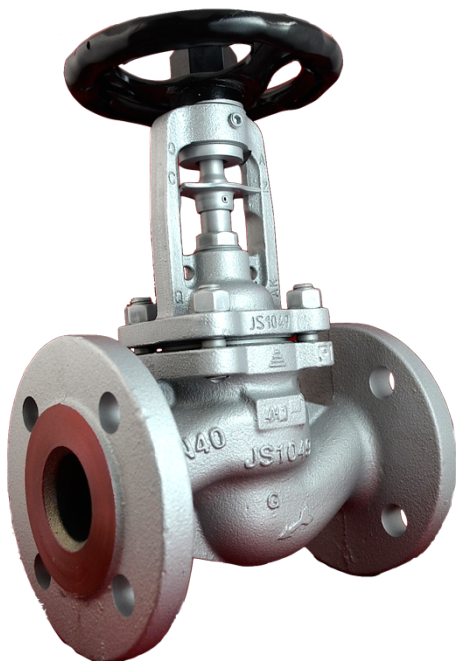


Globe valve type AV01 / AV02 / AV03



Description:

Maintenance free globe valves for a controlled opening and closing of a pipeline system. With optional regulation plug to control the flow rate.

Features:

- suitable for neutral and not neutral **gaseous & liquid media**
- maintenance free
- double wall bellows seal as standard
- position indicator
- non-rising handwheel
- non-rotation lock for each nominal diameter
- Plug with marginal seat
- Installation in any position, spindle preferably in vertical position

Connection:

DN15, DN20, DN25, DN32, DN40, DN50, DN65, DN80, DN100, DN125, DN150, DN200, DN250, DN300, DN350

Temperature:

-10°C to 450°C –
depending on design

Pressure:

Up to 40,0 bar–
depending on design

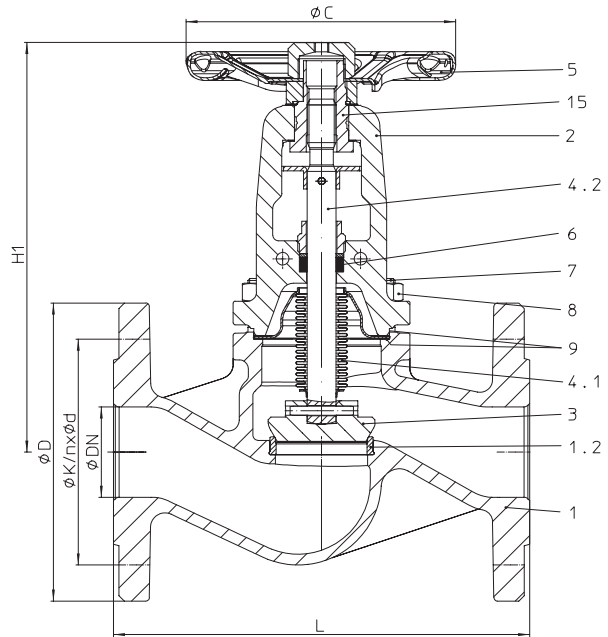
type AV01 / AV02 / AV03*

Design:	Stop valve – straight through with flanges and bellows seal		
Type:	AV01 Grey cast	AV02 SG iron	AV03 Cast steel
Body:	EN-JL1040	EN-JS1049	1.0619+N
Seat ring:	1.4021+QT	1.4021+QT	1.4021+QT / from DN65 1.4551
Bonnet:	EN-JS1049	EN-JS1049	1.0619+N
Pressure:	PN16	PN16	PN40
Plug:	1.4021+QT hardened / from DN250 1.0425 / Stellite 21		
Plug design:	TYP AVXX01: plug with marginal seat TYP AVXX02: regulation plug		
Bellows:	Stainless steel 1.4571		
Handwheel:	Steel / from DN150 EN-JL1040 epoxy-coating		
Packing ring:	Pure graphite		
Test:	EN ISO 15848-1 TA Luft TÜV-Test-No. 973-10675245-10 B* Type AV02: DIN DVGW NG-4313AO 0772 fuel gas acc. to G260		

*TA Luft on request

Parts and material:

Pos.	Description
1	Body
1.2	Seat ring
2	Bonnet
3	Plug
4	Spindle unit
4.1	Bellows seal
4.2	Stem
5	Handwheel
6	Packing ring
7	Hexagon bolt
8	Hexagon nut
9	Gasket
15	Insert nuts



Dimensions:

DN	15	20	25	32	40	50	65	80	100	125	150	200	250	300	350
L	130	150	160	180	200	230	290	310	350	400	480	600	730	850	980
H1	205	205	210	210	225	230	245	265	365	395	430	550	720	775	975
PN16	125	125	125	125	150	150	175	175	225	300	400	520	520	520	640
PN25	125	125	125	125	150	150	175	175	225	300	400	520	520	520	640
PN40	125	125	125	125	150	150	175	225	300	300	400	520	520	--	--
Travel	6	6	8	8	13	13	16	20	25	32	40	50	70	80	90
KVS-value	5,3	7,2	12	16	28,5	43	75	105	170	270	405	675	1090	1460	2010
Zeta-value	2,9	4,9	4,3	6,5	5,0	5,4	5,1	5,9	5,5	5,3	4,9	5,6	5,2	6,1	5,9

PN 16	DN	15	20	25	32	42	50	65	80	100	125	150	200	250	300	350
	∅D	95	105	115	140	150	165	185	200	220	250	285	340	405	460	520
	∅K	65	75	85	100	110	125	145	160	180	210	240	295	355	410	470
	N x ∅D	4x14	4x14	4x14	4x18	4x18	4x18	4x18	8x18	8x18	8x18	8x22	12x22	12x2	12x26	16x26

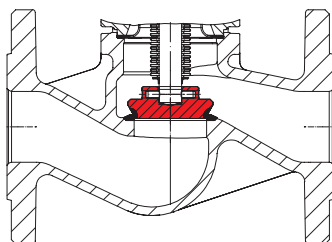
PN 40	DN	15	20	25	32	42	50	65	80	100	125	150	200	250	300	350
	∅D	95	105	115	140	150	165	185	200	235	270	300	375	450	515	580
	∅K	65	75	85	100	110	125	145	160	190	220	250	320	385	450	510
	N x ∅D	4x14	4x14	4x14	4x18	4x18	4x18	8x18	8x18	8x22	8x26	8x26	12x30	12x33	16x33	16x36

Differential pressure:

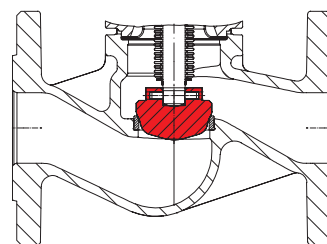
Nieruf Globe valves have to be equipped with a balancing plug if exceeding the differential pressures listed below:

DN	125	150	200	250	300	350	400
Differential pressure (bar)	25	21	14	9	6	4,5	3,5

Plug:



Isolation plug with marginal seat



Regulating plug

Pressure-temperature-ratings:

Intermediate values for max. permissible operational pressures can be determined by linear interpolation of the given temperature / pressure chart.

acc. to DIN EN 1092-2		-10°C to 120°C	150°C	200°C	250°C	300°C	350°C	400°C	450°C
EN-JL1040	16 bar	16	14,4	12,8	11,2	9,6	--	--	--
EN-JS1049	16 bar	16	15,5	14,7	13,9	12,8	11,2	--	--

manufacturers standard		-10°C to 120°C	150°C	200°C	250°C	300°C	350°C	400°C	450°C
1.0619+N	40 bar	40	28,1	35	32	28	25,7	23,8	13,1

Article number:

Type	Plug	Connection	Size
AV01 – grey cast	01 – plug with marginal seat	00 – flange	03 – DN15
AV02 – SG iron	02 – regulation plug		04 – DN20
AV03 – cast steel			05 – DN25
			06 – DN32
			07 – DN40
			08 – DN50
			09 – DN65
			10 – DN80
			11 – DN100
			12 – DN125
			13 – DN150
			14 – DN200
			15 – DN250
			16 – DN300
			17 – DN350

Type AV01: available only up to DN300.

Type AV03: available only up to DN250.

Article number for balancing plug on demand.

Example No. AV02010008:

AV02 | **01** | **00** | **08**

Globe valve made of SG iron

Plug: plug with marginal seat

Connection: flange

Size: DN50

Image similar, subject change without notice.