

Float valve TYPE SW06

description:

Float valves are used for the filling or the regulation of fluid levels of storage tanks. The fluid level can be regulated exactly through the moving of the float on the float arm.

features:

- suitable for aggressive waters and other aggressive fluids
- valve seat is replaceable without a dismounting of the valve
- suitable as pipeline float valve or as valve with connection for immersion tube



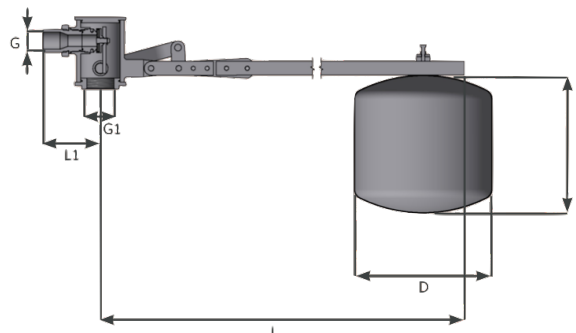
diameter:
1/2" – 3"

construction:
closed and pressure-resistant

working pressure:
0 – 12 bar

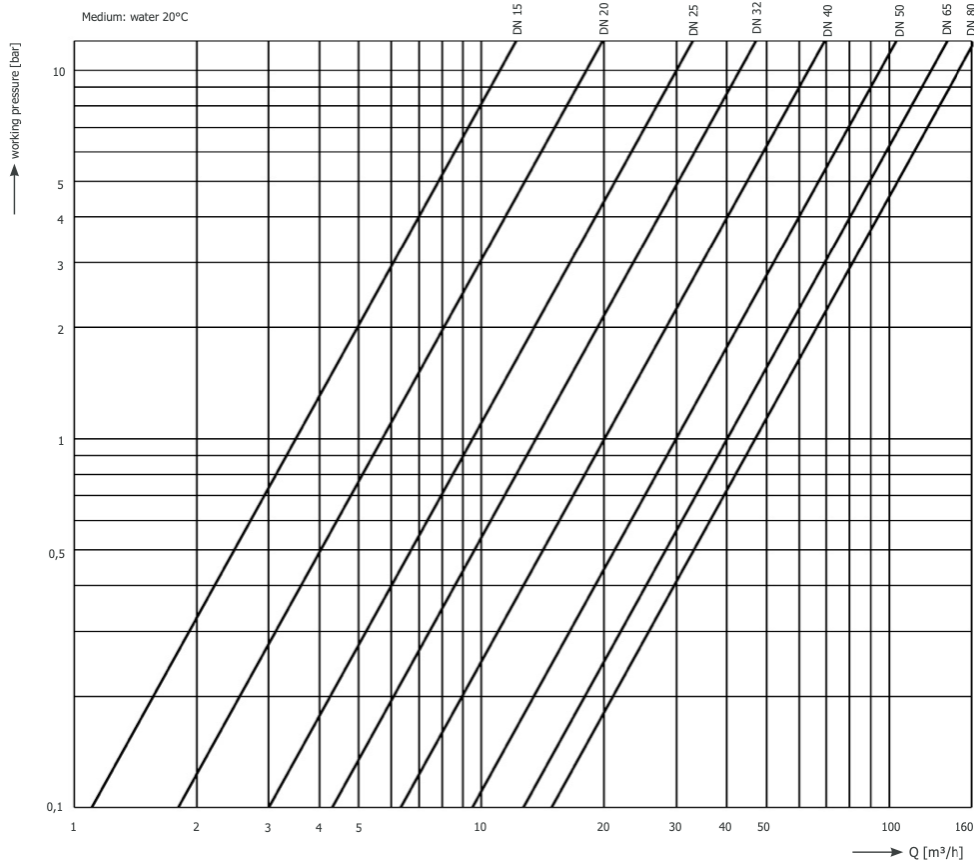
design:	Schwimmventil mit kurzer Einbaulänge durch Hebelübersetzung
connection:	male thread ISO 228
body:	stainless steel 1.4404
seal:	FPM
inner parts:	stainless steel 1.4404
float arm:	stainless steel 1.4571
cap:	stainless steel 1.4404
float:	stainless steel
working pressure:	max. 12 bar*
temperature:	max. 190°C

dimensions:



diameter	connection	exit	L	L1	H	D	Kvs	weight valve	weight float
DN	G in inch	G1 in inch	mm	mm	mm	mm	m3/h	kg	kg
15	1/2"	3/4"	594	63	90	179	3,5	1,8	0,66
20	3/4"	1"	594	63	107	246	5,7	1,8	0,94
25	1"	1 1/4"	727	84	200	200	9,5	3,1	1,18
32	1 1/4"	1 1/2"	727	84	180	240	13,6	3,2	1,36
40	1 1/2"	2"	924	124	240	240	20	6,9	1,47
50	2"	2 1/2"	924	124	280	280	30	6,9	2,34
65	2 1/2"	3"	1050	143	305	305	40	11,5	2,91
80	3"	3"	1050	143	260	400	47	11,5	5,4

Flow diagram:



article number:

type	material	1/2"	3/4"	1"	1 1/4"	1 1/2"	2"	2 1/2"	3"
SW060001-XX	stainless steel	03	04	05	06	07	08	09	10

*The float sizes assigned to the valve dimensions are sufficient up to an inlet pressure of 6 bars; use a float one size bigger for pressures up to 8 bars and a float two sizes bigger for pressures up to 12 bars. Please contact us for more information.

Image similar, subject change without notice.