

Float valve stainless steel TYPE SW04



description:

Float valves are used for the filling or the regulation of fluid levels of storage tanks. The fluid level can be regulated exactly through the moving of the float on the float arm.

features:

- suitable for aggressive waters and other aggressive fluids
- replaceable valve seat and piston
- high flow-rate

dimension:

1/2", 3/4", 1", 1 1/4", 1 1/2", 2", 2 1/2" inch

construction:

closed design

working pressure:

0 – 12 bar

design:

float valve with connection for immersion tube

connection:

male thread ISO 228

body:

stainless steel 1.4408

seal:

FPM

inner parts:

stainless steel 1.4404

float arm:

stainless steel 1.4571

control piston:

stainless steel 1.4404

float:

stainless steel

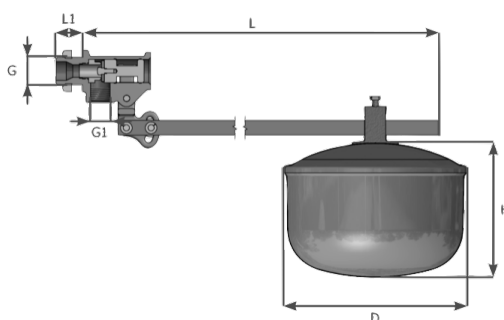
temperature:

max. 190°C

working pressure:

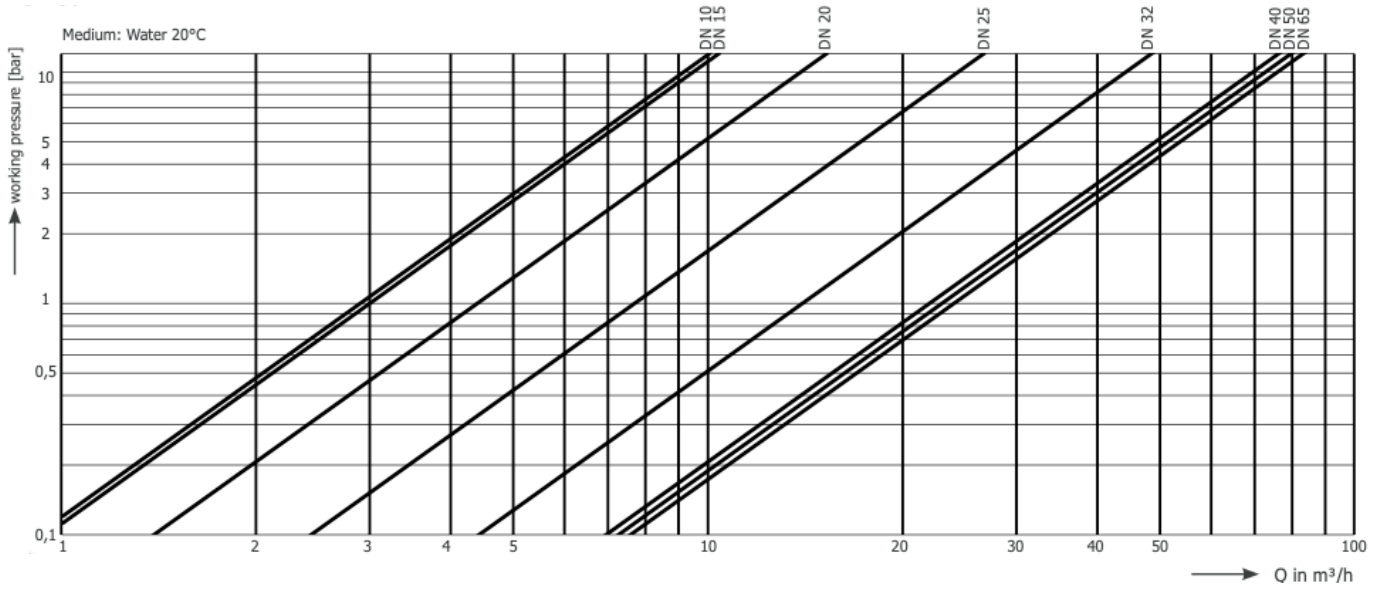
max. 12 bar

dimensions:



diameter	connection	exit	L	L1	H	D	Kvs	weight	weight
DN	G in inch	G1 in inch	mm	mm	mm	mm	m3/h	valve kg	float kg
15	1/2"	3/8"	607	20	90	179	3,0	0,8	0,62
20	3/4"	1/2"	607	25	107	246	4,4	0,8	0,90
25	1"	3/4"	728	28	200	200	7,7	1,1	1,18
32	1 1/4"	1 1/2"	805	39	180	240	14	3,3	1,6
40	1 1/2"	1 1/2"	805	44	240	240	22	3,4	1,47
50	2"	1 1/2"	805	51	280	280	23	3,7	2,34
65	2 1/2"	1 1/2"	815	56	305	305	24	5,0	2,91

Flow diagram:



article number:

Type	Body	Float	size
SW04	00 – stainless steel	01 - stainless steel	03 – 1/2" 04 – 3/4" 05 – 1" 06 – 1 1/4" 07 – 1 1/2" 08 – 2" 09 – 2 1/2"

Example no. SW04000104:

SW04	00	01	04
-------------	-----------	-----------	-----------

Float valve type SW04

- stainless steel body
- stainless steel float
- size 3/4" inch

Image similar, subject change without notice.