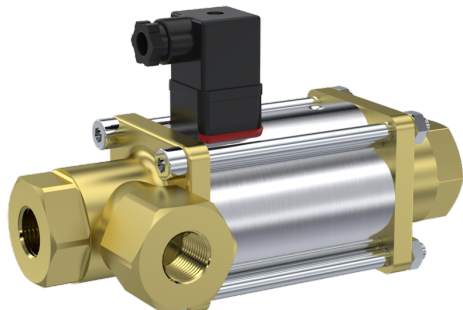


Coaxial-valve type CV03



Description:

3/2 way coaxial-valve to control a medium in a pipeline system. These Coaxial-valves is direct acting and can use from 0.0 bar.

Features:

- suitable for neutral and not neutral **gaseous & liquid media** (for water - choose option 1)
- maintenance free
- backpressure leakproof
- short switching time
- bi-directional flow direction
- installation possible in any position

Connection:

3/8" DN10, 1/2" DN15, 3/4" DN20, 1" DN25

Temperature / Media:

-10°C to +100°C – depending on the version

Pressure:

0,0 bar to 40,0 bar

Design:

3/2 way, direct acting

Material (media-contacting parts):

Brass

Material cylinder tube:

Galvanized steel

Connection:

Thread

Pressure:

to 40,0 bar

Function:

NC - normally closed

NO - normally open

Seal:

FKM / PTFE / FKM

connection / electro:

lug acc. DIN EN 175301-803 form A a.c. operation, d.c. coil with rectifier integrated

Technical data

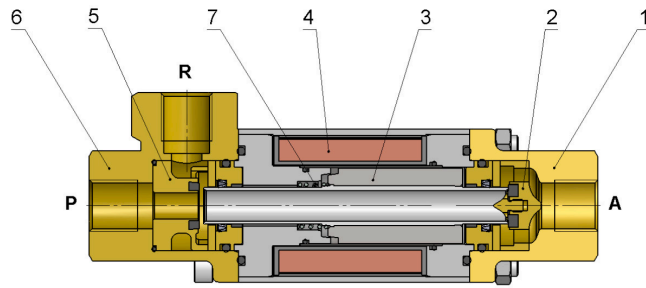
	DN10	DN15	DN20	DN25
Thread connection	G 3/8"	G 1/2"	G 3/4"	G 1"
Pressure range	0-40 bar	0-40 bar	0-40 bar	0-40 bar
Kv-value	2,0 m3/h	5,6 m3/h	8,0 m3/h	11,5 m3/h
Temperature media*	-10°C to +100°C*	-10°C to +100°C*	-10°C to +100°C*	-10°C to +100°C*
Temperature ambient	-10°C to +50°C	-10°C to +50°C	-10°C to +50°C	-10°C to +50°C
Switching time open/close	50 ms / 80 ms	80 ms / 120 ms	110 ms / 100 ms	150 ms / 300 ms
Vacuum leak rate (Bubble tight)**	approx. 10-3 mbar	approx. 10-3 mbar	approx. 10-3 mbar	approx. 10-3 mbar
Flow direction	P -> A max. 40 bar A -> P max. 16 bar P -> R max. 40 bar R -> P max. 16 bar	P -> A max. 40 bar A -> P max. 16 bar P -> R max. 40 bar R -> P max. 16 bar	P -> A max. 40 bar A -> P max. 16 bar P -> R max. 40 bar R -> P max. 16 bar	P -> A max. 40 bar A -> P max. 16 bar P -> R max. 40 bar R -> P max. 16 bar
Nominal voltage / current consumption	24 V DC / 35 W 230 V 50 Hz / 41 W	24 V DC / 40 W 230 V 50 Hz / 45 W	24 V DC / 45 W 230 V 50 Hz / 53 W	24 V DC / 60 W 230 V 50 Hz / 68 W
Insulating material class***	H	H	H	H
Protection	IP 65	IP 65	IP 65	IP 65
Energized duty rating	ED 100%	ED 100%	ED 100%	ED 100%
Weight	1,9 kg	4,0 kg	6,0 kg	7,5 kg

* with water use only up to 80°C

** higher tightness on request

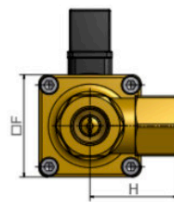
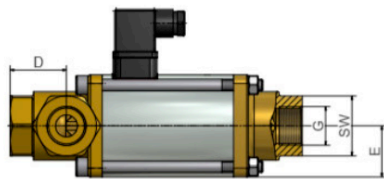
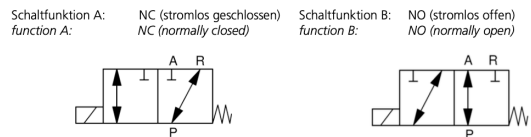
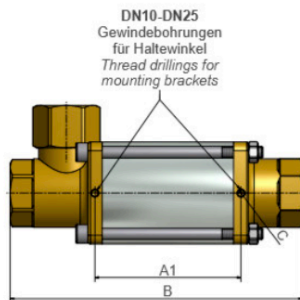
*** referring to potting compound and magnet wire

Sectional drawing:



Pos.	Quantity	Description
1	1	2/2-way adapter fitting
2	1	2/2-way valve seat
3	1	Plunger
4	1	Solenoid
5	1	3/2-way valve seat
6	1	3/2-way adapter fitting
7	1	spring

Dimension drawing (in mm):



DN	G	A1	A2	B	C	D	E
10	1/4", 3/8", 1/2"	32	84	166,5	M4	32	25
15	3/8", 1/2", 3/4"	41	100	200	M5	38,5	35
20	1/2", 3/4", 1"	46	108	228	M5	45,5	40
25	3/4", 1", 1 1/4"	55	121	252	M5	48	45

Article number:

Type	Voltage	Option	Function	Size
CV03 – brass	00 – 230V AC 01 – 24V DC	0 – Standard 1 – Water	0 – NC normally closed 1 – NO normally open	02 – G 3/8" 03 – G 1/2" 04 – G 3/4" 05 – G 1"

Example No. CV03010003:

CV03 | **01** | **0** | **0** | **03**

3/2 way coaxial-valve made of brass
 Voltage: 24V DC
 Function: normally closed
 Size: G 1/2"

Image similar, subject change without notice.