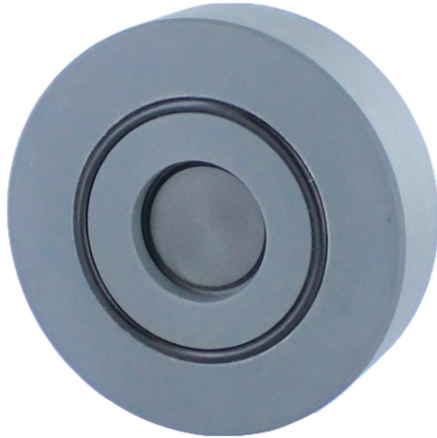


DISCO-check valve type RV03



description:

DISCO-check valves allow the medium to flow just in one direction. If the flow of the medium changes the direction the check valve will close automatically. Available in PVC-U, PP-H and PVDF.

product features:

- suitable for neutral and not neutral **gaseous & liquid media**
- short length
- low opening pressure
- mounting position: any

connection:

DN15, DN20, DN25, DN32, DN40, DN50, DN65, DN80, DN100

temperature:

up to 120°C
- depending on design

pressure:

0,0 bar – 10,0 bar
- depending on design

material:

type RV03

component	RV030	RV0301	RV0302
body	PVC-U	PP-H	PVDF
disc	PVC-U	PP-H	PVDF
spring	Stainless steel 1.4571	Stainless steel1.4571	Stainless steel 1.4571
Pressure	0 – 10 bar	0 – 10 bar(from DN65 0 – 6 bar)	0 – 10 bar
Temperature	Up to +50°C	Up to +90°C	Up to +120°C
connection	PN10	PN10	PN10

seal:

NBR

up to+90°C

EPDM

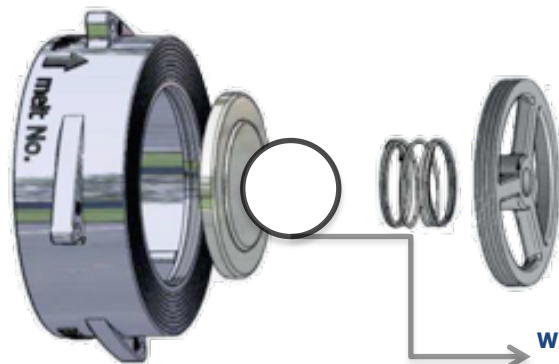
up to +120°C

FKM

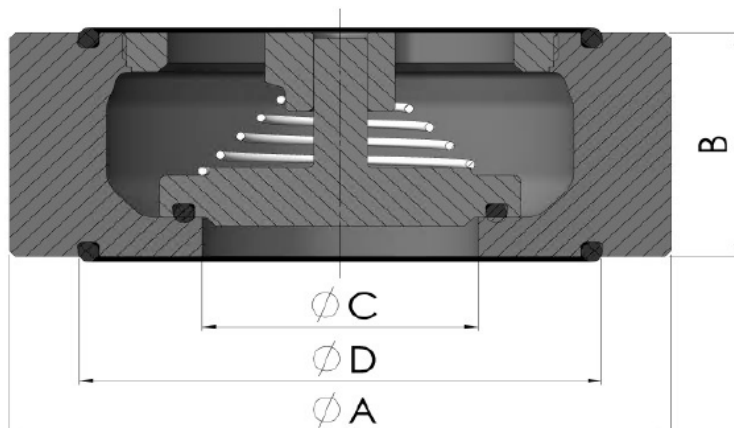
up to +120°C

PTFE

up to +120°C



With integrated fence for the disc.

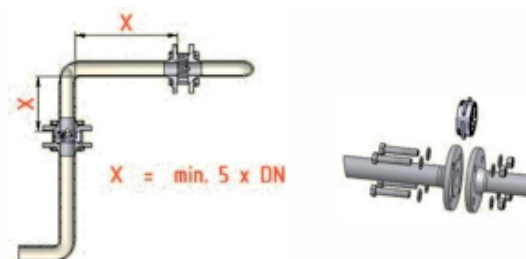


DN	Inch	A	B	C	D
15	1/2"	54	16	15	32
20	3/4"	64	19	19,5	38
25	1"	74	22	25	47
32	1 1/4"	85	28	32	59
40	1 1/2"	95	31,5	38	70
50	2"	109	40	47	86
65	2 1/2"	129	46	61	105
80	3"	144	50	77	119
100	4"	164	60	95	145

length acc. to: DIN EN 558-1 serie 49
 flange acc. to: DIN EN 1092-1 B1

Installation instructions:

Possible damages to the disco check valves and O-rings have to be checked prior to installation. Check if the valve can be moved. Damaged parts must not be installed. Make sure that only those disco check valves are installed, that meet the operational requirements regarding pressure category, chemical resistance, connection and dimensions. Make sure to install a minimum of 5 x nominal diameter of straight pipeline in front of and behind the swing check valve. Do not install the valves directly onto a pump flange. Avoid pulsation and pressure impact. Watch throughput direction (see arrow on the plate)! They are put in their central position according to the outer diameter of the body and the flange screw inner side. Tighten the flange screws crosswise regarding the torque required.



General safety advices:

The safety advices for the pipe system, in which the valves are to be mounted, are to be followed. The same applies to the check valves.

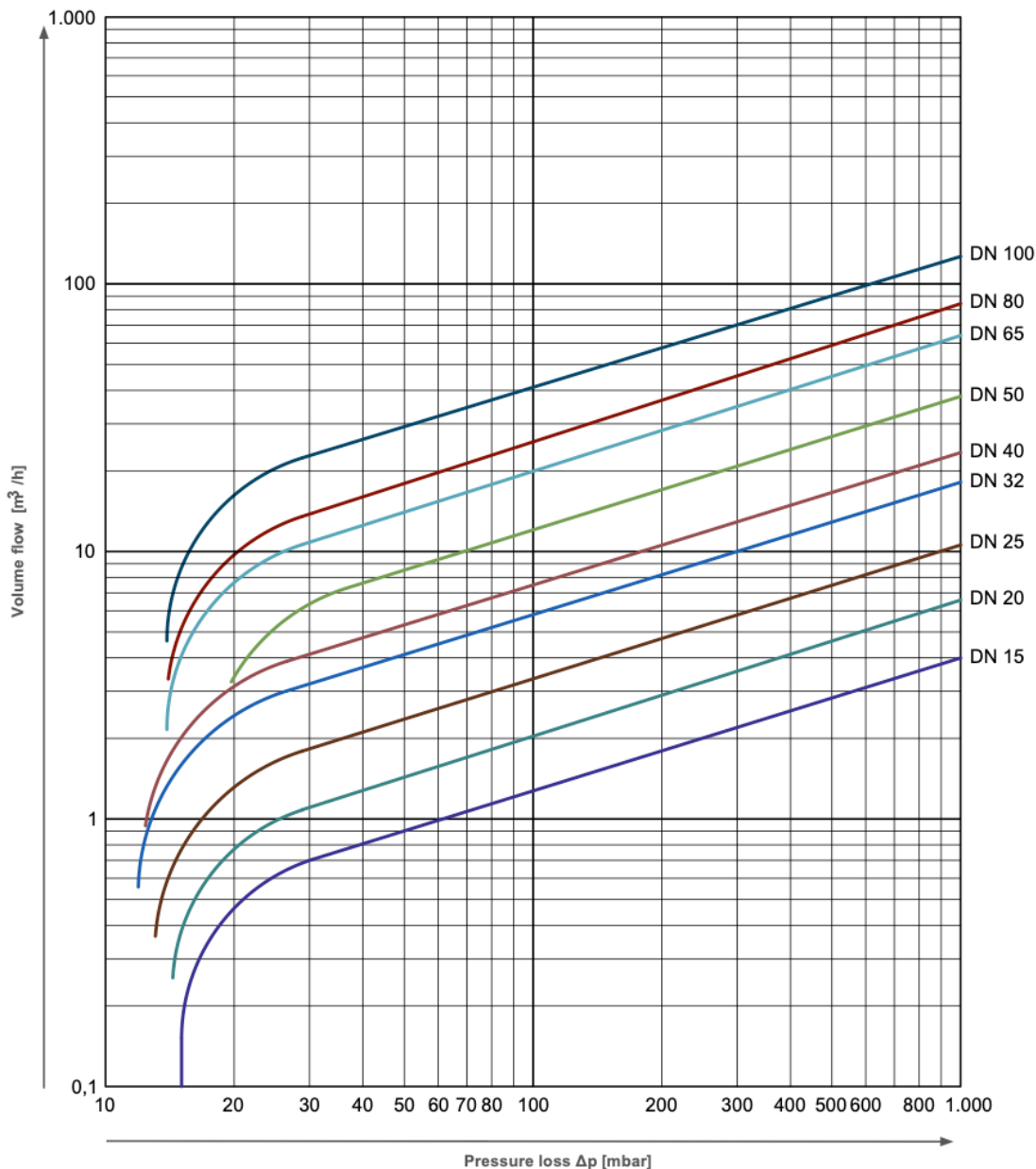
In pipe systems, where our check valves are to be used, the planning/installing person and the operator are responsible for the following issues:

- The check valves is to be used according to the regulation in p.1
- The pipe system is to be installed correctly and its operation is to be checked regularly
- The check valves is to be mounted, removed and repaired by qualified personnel only. The staff is to be regularly instructed according to all relevant regulations concerning working safety and environmental protection, especially in the field of pipes under pressure.
- These staff members have to be informed about the manual and the advices included.

maximal working pressure / opening pressure:

DN	Kv-Wert	working pressure	Opening pressure at flow direction			
			mbar			
SIZE	m3/h	bar				
15	1/2"	4	0 - 10	15	14	16
20	3/4"	6,6	0 - 10	14	13	15
25	1"	10,8	0 - 10	12	12	13
32	1 1/4"	18,6	0 - 10	11	10	12
40	1 1/2"	23,9	0 - 10	11	10	13
50	2"	38,2	0 - 10	15	13	16
65	2 1/2"	64,3	0 - 10 (0-6bar)	12	10	13
80	3"	84,5	0 - 10 (0-6bar)	12	10	14
100	4"	134,1	0 - 10 (0-6bar)	12	9	14

pressure loss diagram:



type	material	seal	diameter
RV03 – check-valve	00 – PVC-U 01 – PP-H 02 – PVDF	01 – EPDM 02 – FPM 03 – PTFE 04 – NBR	03 – DN15 04 – DN20 05 – DN25 06 – DN32 07 – DN40 08 – DN50 09 – DN65 10 – DN80 11 – DN100

**example RV03000106:
RV03**

00

01

06

Check valve type RV03
 material: PVC-U
 seal: EPDM
 size: DN32

Image similar, subject change without notice.