

# Check valve type RV01



**Description:**

Check valves allow the medium to flow just in one direction. If the flow of the medium changes the direction, the check valve will close automatically.

**Features:**

- suitable for neutral and not neutral **gaseous & liquid media**
- short length
- low opening pressure
- mounting between flanges
- mounting position: any

**Connection:**

DN15 – DN100

**Temperature:**

-10°C to +300°C  
- depending on design

**Pressure:**

0,0 bar – 40,0 bar  
- depending on design

**Material body:**

Stainless steel 1.4408

**Material disc:**

Stainless steel 1.4436

**Spring:**

Stainless steel 1.4436

**Seal:**

**Temperature:**  
-10°C to +90°C

**NBR**

-10°C to +120°C

**EPDM:**

-10°C to +200°C

**FPM:**

-10°C to +200°C

**PTFE:**

-10°C to +300°C

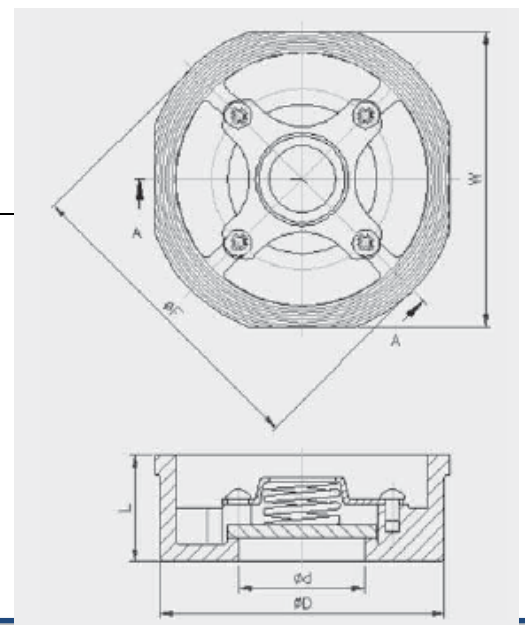
**Metal seated:**

**Dimension:**

DN	Inch	d	D	F	L	W	weight
15	1/2"	15	43	53	16	43	0,10
20	3/4"	20	53	63	19	53	0,16
25	1"	25	63	73	22	63	0,28
32	1 1/4"	30	75	84	28	75	0,52
40	1 1/2"	38	86	94	32	86	0,70
50	2"	47	95	107	40	95	1,10
65	2 1/2"	62	115	126	46	115	1,58
80	3"	77	131	145	50	131	1,78
100	4"	96	150	164	60	150	3,30

Face to face acc.: DIN EN 558-1 line 49

flange acc: DIN EN 1092-1 PN/10/16/25/40



**Installation Instruction:**

The following aspects have to be observed during the installation of disco check valves:

- Possible damages to the disco check valves and O-rings have to be checked prior to installation. Check if the valve can be moved. Damaged parts must not be installed.



installed, pressure ensions. meter of :check valve. ge.

- Tighten the flange screws crosswise regarding the torque required.

**After the installation, check the tightness of the connections by a pressure check.**

**General safety advices:**

The safety advices for the pipe system, in which the valves are to be mounted, are to be followed. The same applies to the check valves.

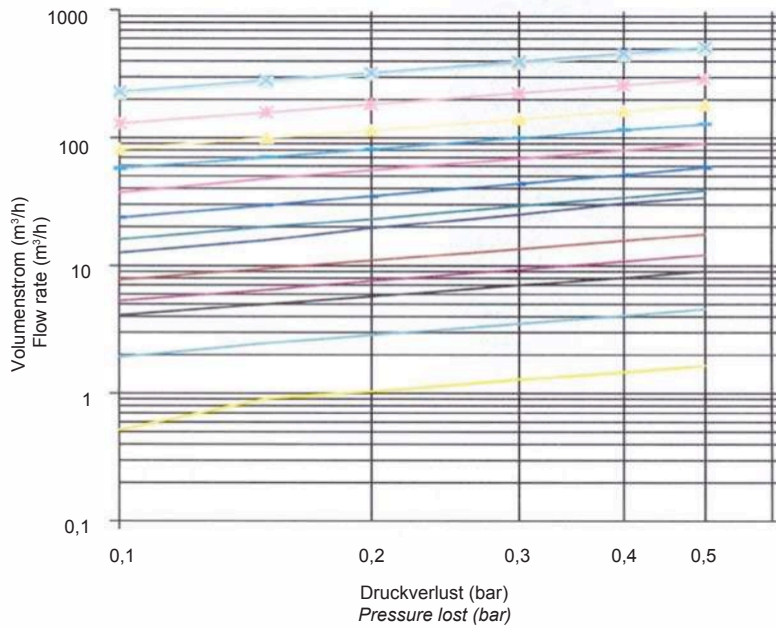
In pipe systems, where our check valves are to be used, the planning/installing person and the operator are responsible for the following issues:

- The check valves is to be used according to the regulation in p.1
- The pipe system is to be installed correctly and its operation is to be checked regularly
- The check valves is to be mounted, removed and repaired by qualified personnel only. The staff is to be regularly instructed according to all relevant regulations concerning working safety and environmental protection, especially in the field of pipes under pressure.
- These staff members have to be informed about the manual and the advices included.

**Maximal working pressure / opening pressure:**

DN	Kv-Wert	Working pressure	Opening pressure at flow direction mbar			
<b>15</b>	1/2"	2	0 - 40	25	20	30
<b>20</b>	3/4"	7	0 - 40	25	20	30
<b>25</b>	1"	13	0 - 40	25	20	30
<b>32</b>	1 1/4"	17	0 - 40	25	20	30
<b>40</b>	1 1/2"	23	0 - 40	25	20	30
<b>50</b>	2"	48	0 - 40	25	20	30
<b>65</b>	2 1/2"	55	0 - 40	25	20	30
<b>80</b>	3"	83	0 - 40	25	20	30
<b>100</b>	4"	127	0 - 40	25	20	30

**Pressure loss:**



**Test meeting the requirement of PED acc. to DIN EN 12266:**

The tightness corresponds to the specified leakage rates:

Type	Soft seat*	Metal seat
RV01	A	≥ G

\* Soft seat: EPDM, FPM/FKM/Viton, PTFE, NBR

Media phase: gasoeous or liquid, if pD > 0,5 bar (steam pressure)

**Structure article number:**

Type	Flange	Seal	size
<b>RV01</b>	<b>00</b> – PN10-40	01 – EPDM 02 – FPM <b>03</b> – PTFE 04 – NBR 05 – Metall	03 – DN15 <b>04</b> – DN20 05 – DN25 06 – DN32" 07 – DN40 08 – DN50 09 – DN65 10 – DN80 11 – DN100

**Example no. ZR04100306:**

**RV01** | **00** | **03** | **04**

Article Nr. RV01000304  
 Check valve made of Edelstahl  
 Flange: PN10/16/25/40  
 Seal: PTFE  
 Size: DN20

Image similar, subject change without notice.