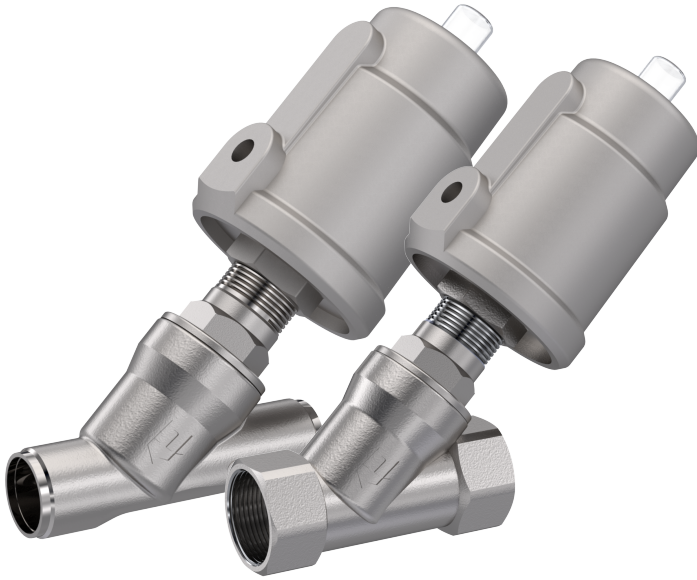


2/2 way angle seat valve type SC02



description:

2/2-way angle seat valve, pressure controlled made of high quality stainless steel to control the flow with a piston operating by compressed air.

features:

- suitable for neutral and not neutral **gaseous & liquid media**
- closed by spring pressure
- **closing against media flow**
- optical position indicator
- installation position: any

connection:

3/8", 1/2", 3/4", 1", 1 1/4", 1 1/2", 2", Inch
or with weld-on end DN11850-R2

construction:

NC – closed by spring
pressure

pressure:

0 – 16 bar – depending on
design

Design:

angle seat valve with pneumatic actuator

Body:

stainless steel 1.4408

Control Unit:

stainless steel 1.4408

Seal:

PTFE

Spindle seals:

PTFE

Pressure:

0 – 16 bar (see chart below)

Control pressure:

compressed air min 4,0 – 10,0 bar

Temperature:

media: -10°C to +180°C

environment: -10°C to +60°C

Installation position:

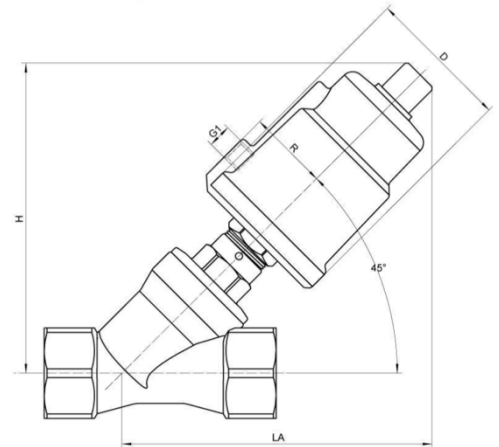
random

Viscosity:

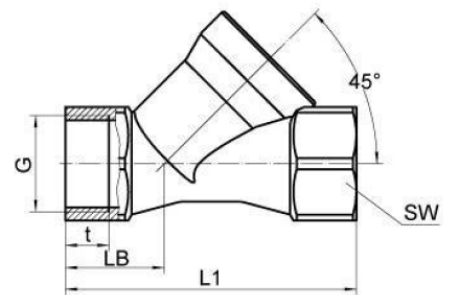
max. 600 mm²/s

dimensions:

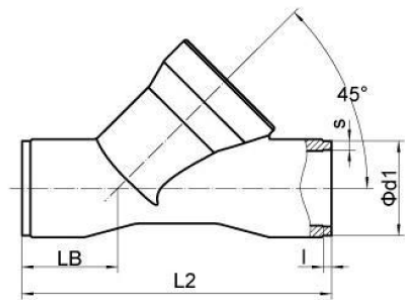
DN	H/La	G1	D	R	actuator	pressure in bar	Kv- value m ³ /h
10	121	G1/8	62	34	50 mm	0 – 16	4,7
15	121	G1/8	62	34	50 mm	0 – 16	4,7
20	125	G1/8	62	34	50 mm	0 – 10	9,5
25	153	G1/8	77	41,5	63 mm	0 – 8	18,1
32	178	G1/4	98	52	80 mm	0 – 11	23,1
40	185	G1/4	98	52	80 mm	0 – 8	32,9
50	213	G1/4	121	63	100 mm	0 – 9	52,8



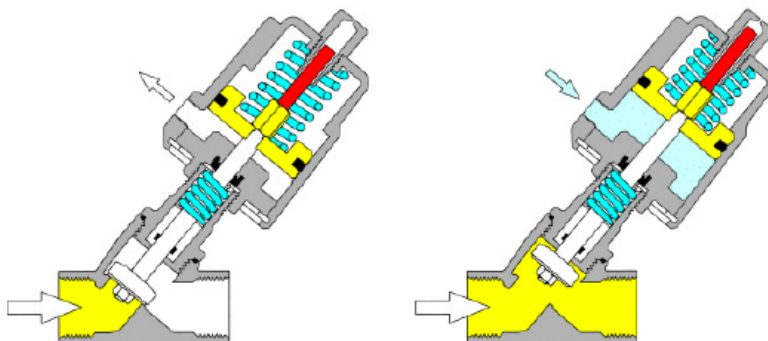
thread	DN	L1	LB	SW	G	t
	10	74	25,5	22/ 6-kt	3/8"	10
	15	74	25,5	25/ 6-kt	1/2"	11,5
	20	84	29	31/ 6-kt	3/4"	14
	25	100	33,5	39/ 6-kt	1"	15
	32	112	36	50/ 8-kt	1 1/4"	18
	40	126	41	56/ 8-kt	1 1/2"	18
	50	146	46	68/ 8-kt	2"	22



welding end	DIN 11850 2	DN	L2	LB	I	d1 Ø	S
		15	88	30	2	19	1,5
		20	92	30	2,5	23	1,5
		25	110	35	3	29	1,5
		32	126	39	3	35	1,5
		40	144	46	3	41	1,5
		50	166	48	3	53	1,5



functional description:



Article number:

Type	Connection	Seal	Size
SC02	00 – female thread 01 – welding end*	00 – PTFE	02 – 3/8"
			03 – 1/2"
			04 – 3/4"
			05 – 1"
			06 – 1 1/4"
			07 – 1 1/2"
			08 – 2"

* welding end available from 1/2" upwards

Example no. SC02000004:

SC02 | 00 | 00 | 04

Angle seat valve

Connection: female thread
Seal: PTFE
Size: 3/4"

Image similar, subject change without notice.