

Throttleplate type DP01



description:

Throttleplate as intermediate plate, interface acc. to NAMUR-standard. To regulate the forward- and backward-stroke of a pneumatic actuator.

features:

- for 3/2- and 5/2-Way-Valves
- interface acc. to NAMUR 1/4" and NAMUR 1/2"
- Direct mounting on single-acting and double-acting actuators
- includes O-rings, screws and pin

type:

3/2 and 5/2 way

3/2 Way und 5/2 Way

body:

interior parts:

temperature:

working pressure:

operation:

features:

construction:

operated manually

wrought aluminum alloy

brass, NBR

-10°C - +70°C

0,5 bar to 10 bar

manual

3/2-Way:

regulates the forward stroke of a single acting pneumatic actuator and the exhaust air going into the spring return unit.

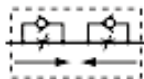
5/2-Way:

regulates the forward – and backward-stroke of a double acting pneumatic actuator

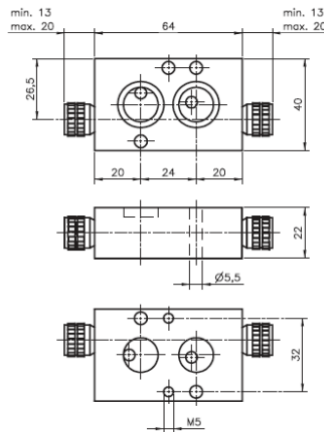
temperature:

-10°C - +70°C

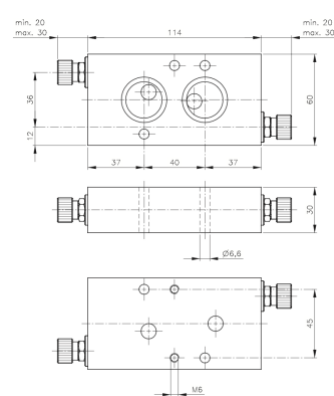
dimensions (in mm):



Namur 1 – 1/4"inch



Namur 2 – 1/2"inch



type	design	operation	size
DP01	00 - 3/2-Way 01 - 5/2-Way	00 - manual	01 – 1/4"

example art.nr. DP01000001

DP01	00 - 3/2-Way	00 - manual	01 – 1/4"
------	--------------	-------------	-----------

Article Nr. DP01000001

Throttleplate

operation: manual

design: 3/2-Way

size: 1/4"

Image similar, subject change without notice.