

Position indicator TYPE PR02



Description:

Compact limit switch box with Polyamide housing and - bracket or with Aluminium-housing and stainless steel bracket. Our brackets are adjustable in height and length. 3D visual indicator insied the housing. Available with mechanical or inductive switches. Connection with cable gland M20x1,5. Other connections on request.

Connection:

1x cable gland M20x1,5
2x cable gland M20x1,5

Ambient temperature:

-25°C to +80°C

Switch type:

Mechanical or inductive

Visual indicator:

3D visual indicator

Connection:

1x or 2x cable gland M20x1,5

Ambient temperature:

-25°C to +85°C

Protection:

IP67

Material and Dimensions:

Version PR0200....

Component

- Housing material
- Bracket material
- Shaft material
- Sealing
- Screw material

Material

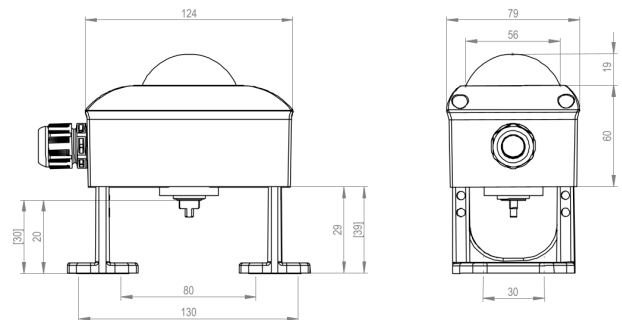
- Polyamide (PA6 + PC)
- Polyamide (PA6) with 20% GF
- Polyamide (PA6)
- EPDM, NBR
- Stainless steel 1.4301 / AISI 304

Actuator hole spacings

80x30mm, adjustable to 130x30mm

Actuator shaft heights

20mm, adjustable to 30mm



Version PR0201....

Component

- Housing material
- Bracket material
- Shaft material
- Sealing
- Screw material

Material

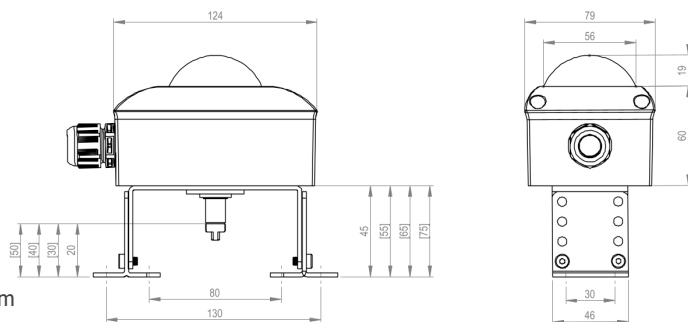
- Aluminium
- Stainless steel 1.4301 / AISI 304
- Stainless steel 1.4305 / AISI 303
- EPDM, NBR
- Stainless steel 1.4301 / AISI 304

Actuator hole spacings

80x30mm, adjustable to 130x30mm

Actuator shaft heights

20mm, adjustable to 30mm, 40mm or 50mm



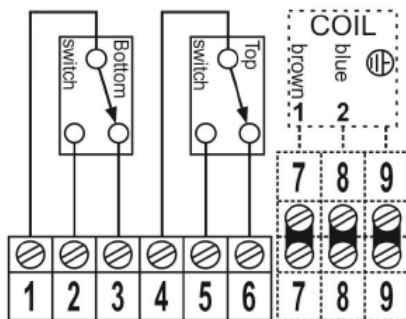
Switch type:

Mechanical micro switches, 2 pieces, SPDT

Switch type	ZF, D44X (SPDT, NO/NC)
Voltage	12 – 250V AC/DC
Operating current max.	AC: 250V, 10A / DC: 24V, 2,5A
Operating current min.	AC: 250V, 0,1A / DC: 24V, 0,1A
Contacts	Silver
SIL-Level	SIL 1-3 (IEC 61508:2010)
Number of switches	2
Dry contact	Only with NO function (Contacts 1+2)
Outdoor use	With ventig screw in order to avoid condensed water inside of the switch box housing



Wiring diagram:



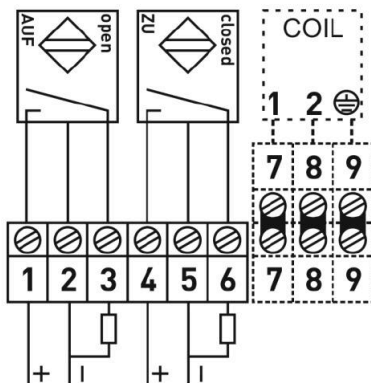
Connections 1-6 standard, connections 7-9 additionally for version with 2x cable glands

Inductive proximity switches, 2 pieces, 3-wire

Switch type	P+F, NBB2-V3-E2 (NPN, NO)
Voltage	10 – 30V DC
Operating current	0 – 100mA
Switching frequency	1000Hz
No-load supply current I ₀	≤ 15mA
Switching state indicator	LED yellow
SIL-Level	SIL 1-3 (IEC 61508:2010)
Number of switches	2
Outdoor use	With ventig screw in order to avoid condensed water inside of the switch box housing



Wiring diagram:



Connections 1-6 standard, connections 7-9 additionally for version with 2x cable glands

Article number:

Type	Material	Switch type	Connection
PR02	00 – Polyamide 01 – Aluminium-housing with stainless steel bracket	00 – mechanical 01 – inductive	00 – 1x cable gland M20x1,5 01 – 2x cable gland M20x1,5

Example no. PR02010000:

PR02	01	00	00
-------------	-----------	-----------	-----------

Article no. PR02010000

Position indicator with housing and bracket made of Polyamide

Switch type: 2 mechanical micro switches

Connection: 1x cable gland M20x1,5

Image similar, subject change without notice.