

# Position indicator TYPE PR01

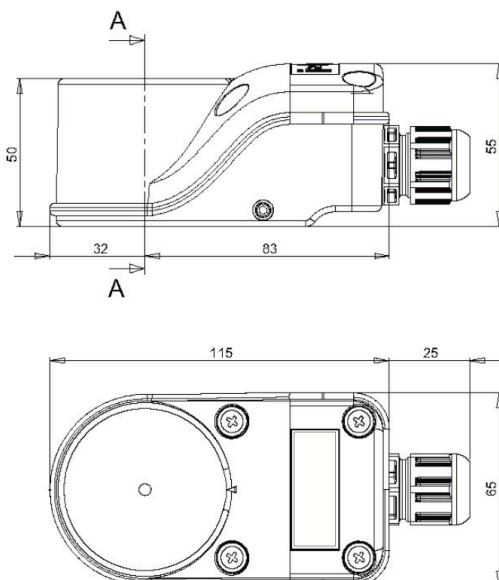


**Description:**

Compact limit switch box made of PA6 with mechanical cherry micro-switch D44x, for direct mounting on actuators. Venting element in order to avoid condensed water inside of the switch box housing.

<b>Article number:</b>	<b>PR01000000</b>
<b>Housing material:</b>	Polyamide PA6 + PC
<b>Shaft material:</b>	Stainless steel 1.4305 / AISI 303
<b>Sealing:</b>	TPE, NBR
<b>Screw material:</b>	Stainless steel 1.4301 / AISI 304
<b>Visual indicator:</b>	2D visual indicator - OPEN - CLOSED
<b>Actuator hole spacings:</b>	80x30mm
<b>Actuator shaft heights:</b>	20mm, 30mm
<b>Connection:</b>	Cable gland M20x1,5
<b>Ambient temperature:</b>	-25°C to +80°C
<b>Switch type:</b>	ZF, D44X (SPDT, NO/NC)
<b>Voltage:</b>	12-250C AC/DC
<b>Operating current max.:</b>	AC: 250V, 10A / DC: 24V, 2,5A
<b>Operating current min.:</b>	AC: 250V, 0,1A / DC: 24V, 0,1A
<b>Contacts:</b>	Silver
<b>Protection class:</b>	IP67 VDE 0470 / EN60529
<b>SIL-Level:</b>	1-3 (IEC 61508:2010)

**Dimensions in mm:**



**Wiring diagram:**

