

Pneumatic gate valve TYPE SR01



Description:

Knife gate valve with pneumatic actuation made of cast iron. Particularly suitable for applications with changing flow and/or pressure direction because of bi-directional. Inteded for the automatic shut off of pipes of the heavy fluids like slurries and powders.

Product features:

- Bi-directional tightness
- Pneumatic actuation
- Indoor and outdoor installation

Size:

DN50 – DN400 – depending on seat

Design:

Bi-directional tightness

Pressure:

Up to 10,0 bar – depending on size

Design:

Bi-directional tightness

Body:

Epoxy RAL 5005 coated EN-GJL 250 cast iron

Gate:

Stainless steel AISI 304

Packing:

PTFE

Seat:

NBR or EPDM (max. up to DN300)

Support:

Epoxy coated carbon steel

Flange:

Acc. to DIN EN 1092-2 PN10

Temperature:

EPDM 0°C to +110°C

NBR -10°C to +90°C

Room temperature:

-20°C to +60°C

Actuation:

Double acting pneumatic actuation

Fluid:

Use not allowed on group 1 dangerous gas for sizes > 100

Compressed air supply:

Min. 5 bar – max. 7 bar

Air supply:

Lubricated compressed air

Standards:

P.E.D. CE 2014/38 – Category I module A

Max. working pressure:

DN	50	65	80	100	125	150	200	250	300	350	400
in bar	10	10	10	10	10	10	10	8	6	4	4

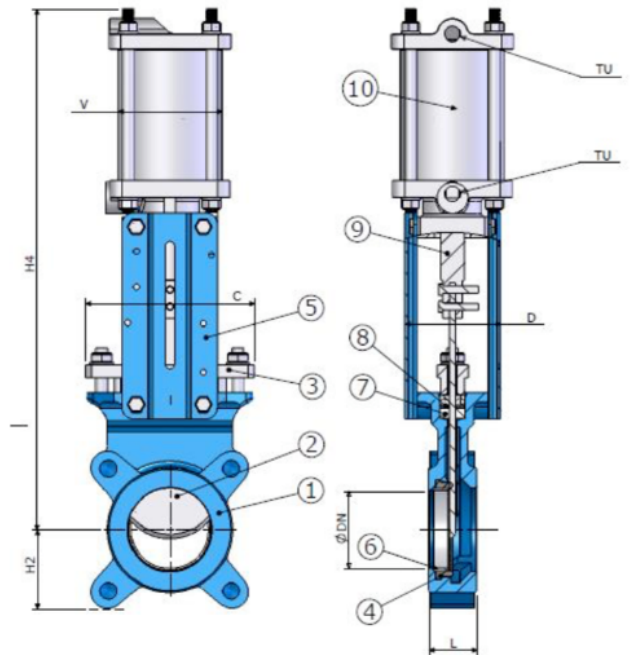
Actuation: double acting pneumatic

Optional: Actuator with manual override – on request

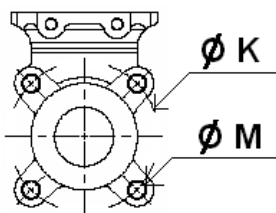
Dimensions:

DN	50	65	80	100	125	150	200	250	300	350	400
H2	63	70	92	105	120	130	160	198	234	256	292
H4	400	442	483	546	630	692	869	1032	1182	1379	1535
C	125	140	155	175	190	220	275	325	380	440	495
D	92	92	92	92	102	102	120	120	120	290	290
L	40	40	50	50	50	60	60	7	70	96	100
Ø K	125	145	160	180	210	240	295	350	400	460	515
Ø M	4 xM16	4 xM16	4 xM16	4 xM16	4 xM16	4 xM20	4 xM20	6 xM20	6 xM20	10xM20	10xM24
Kg	9,01	9,94	11,31	13,5	18,49	21,91	37,53	60,72	76,04	143,95	170,55

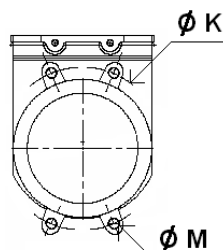
Pos.	Part	Material
1	Body	Epoxy coated cast iron EN-GJL 250
2	Gate	Stainless steel AISI 304
3	Stuffing's box gland DN50-200	Aluminium
3	Stuffing's box gland DN200-300	Cast iron EN-GJL 250
4	Seat	NBR or EPDM
5	Support	Epoxy coated carbon steel
6	Ring	Stainless steel AISI 304
7	Packing	PTFE
8	O-Ring	NBR or EPDM
9	Stem	Stainless steel AISI 304
10	Actuator	Aluminium



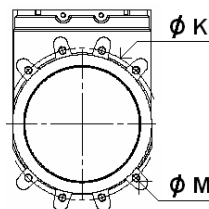
DN50-65



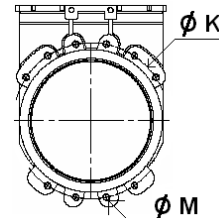
DN80-200



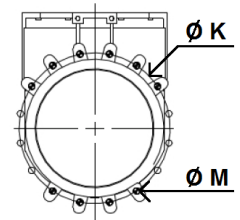
DN250-300



DN350



DN400



Air's ports:

DN50-DN300: G 1/4"
 DN350-DN400: G 3/8"

Article number:

Type	Seat	Actuation	Size
SR01	00 – EPDM*	04 – double acting pneumatic actuator	08 – DN50
	01 – NBR		09 – DN65
			10 – DN80
			11 – DN100
			12 – DN125
			13 – DN150
			14 – DN200
			15 – DN250
			16 – DN300
			17 – DN350
			18 – DN400

Example Nr. SR01010411:

SR01 | **01** | **04** | **11**

Bi-directional knife gate valve
 Seat: NBR
 Actuation: double acting pneumatic actuator
 Size: DN100

* Knife gate valve with EPDM-seat only available up to DN300

Image similar, subject change without notice.