

Butterfly Valve Type AK07



description:

Butterfly valves made of PVC-U are wafer style valves used to control liquid or gaseous media in pipeline systems.

features:

- Suitable for water, alkaline fluid networks or acid
- Notched and pad-lockable
- Centrally disc bearing
- Anti UV coated
- Position of installation can be chosen freely
- ISO 5211 mounting pad for mounting an actuator

connection:

DN40, DN50, DN65, DN80, DN100, DN125, DN150, DN200

temperature:

0°C to +50°C – depending on design

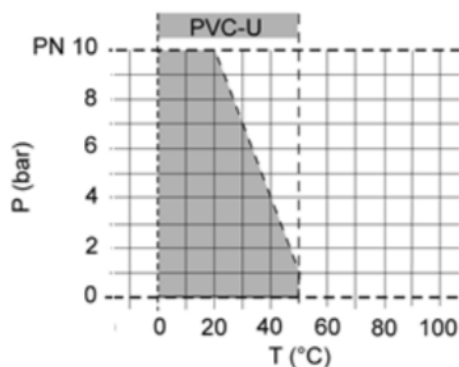
pressure:

Up to 10,0 bar

Type AK07 Body made of PVC-U:

design:	Butterfly valve wafer type
body:	Type AK07 PVC-U
butterfly:	PP-GF
stem:	1.4301 SS
nominal pressure:	PN10
temperature:	0°C to +50°C
actuation arrangement:	Notch lever
seat:	EPDM or FPM
connection:	Flange DIN 2501 PN10/16 or ANSI 150

Pressure-temperature diagram:

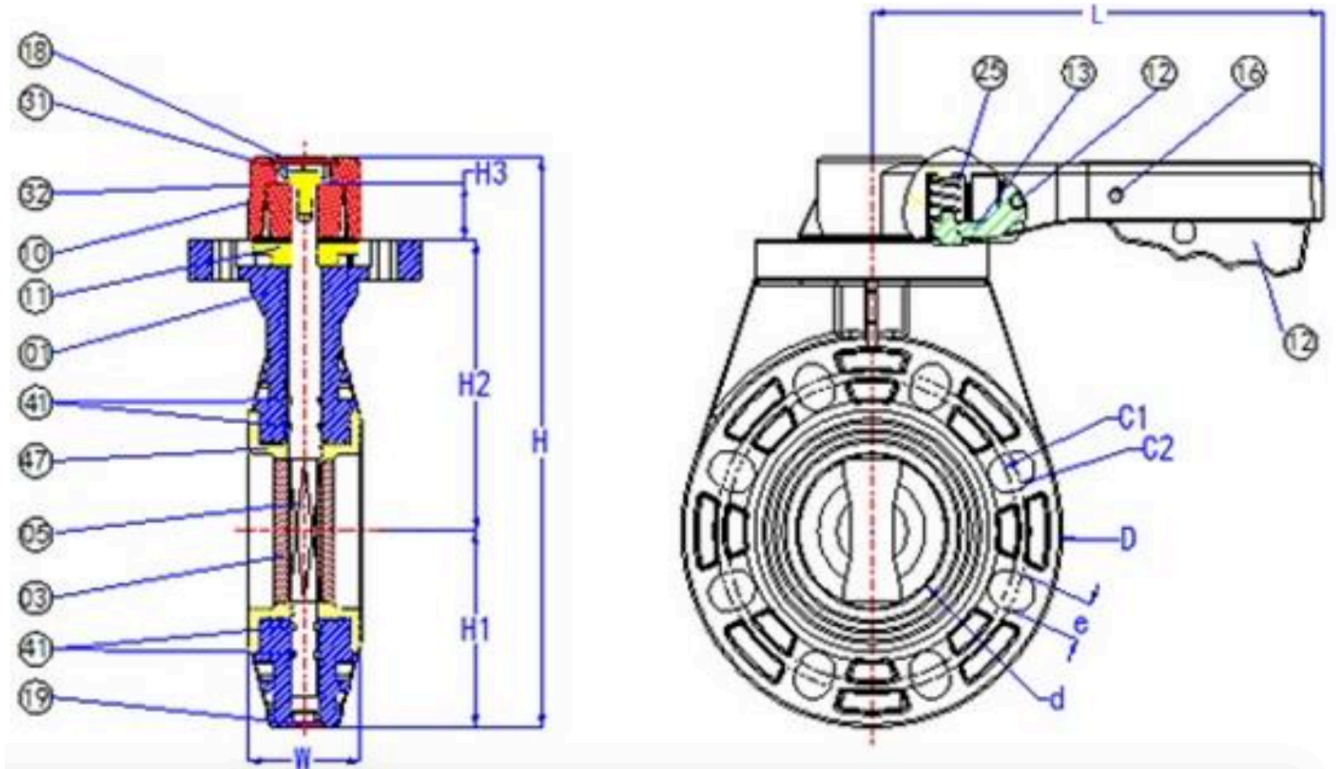


Dimensions in (mm):

DN	40	50	65	80	100	125	150	200
d	40	52	66	78,5	104	127	151	200
C1	98	120	140	150	175,5	210	240	290
C2	110	125	145	160	190,5	216	241	298
H	228	245	259	283	313	348	375	434
H1	74	81	89,5	97,5	112,5	127,5	140	172,5
H2	114	124	129	145	160	175	190	219,5
H3	15	15	19	18	19	16	20	25
D	148	162	179	195	225	255	280	340
W	34	44	46	57	60	66	72	82
L	231	231	231	231	231	280	280	280
n*-e	4-19	4-19	4-19	8-19	8-19	8-23	8-23	8-23

No.	Description	AK07
01	Body	PVC-U
03	Butterfly	PP-GF
05	Stem	1.4301 SS
10	Handle	ABS
11	Stem ring	PVC-U
12	Trigger	PVC-U
13	Latch	PVC-U
16	Pin	ABS
18	Cap	ABS
19	Plug	PP
25	Spring	1.4301 SS
31	Screw	1.4301 SS
32	Washer	1.4301 SS
41	Stem gaskets	EPDM / FPM
47	Liner	EPDM / FPM

*hole number

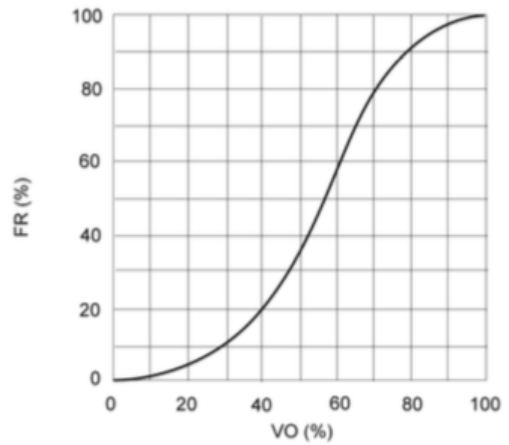
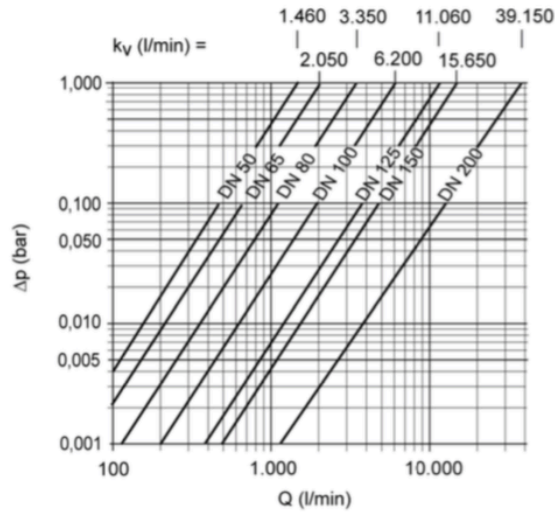


Pressure drop graph / Valve Opening:

Indicate value for H₂O at 20°C

Δp = Pressure Drop
Q = Flow-rate

VO = Valve opening
FR = KV-value



Article number:

type	pressure	seal	actuation	diameter
AK07 – PVC-U	0 – PN10	0 – EPDM 1 – FPM	00 – Notch lever	07 – DN40* 08 – DN50 09 – DN65 10 – DN80 11 – DN100 12 – DN125 13 – DN150 14 – DN200

example: AK07010014:

AK07 | 0 | 1 | 00 | 14

article number AK07010014
Butterfly valve made of PVC-U
pressure: PN10
seal: FPM
actuation: Notch lever
diameter: DN200

* size DN40 only available with seal EPDM

Image similar, subject change without notice

