

Butterfly Valve Type AK05



description:

Butterfly valve to control a liquid or gaseous media in a pipeline system.

features:

- suitable for neutral and not neutral **gaseous & liquid media**
- stainless steel disc
- long neck for isolation
- ISO 5211 mounting pad
- CE PED 2014/68/EU certified
- Risk Category III Module H

specifications:

connection

DN32 – DN300
bigger sizes on demand

temperature

-15°C to +110°C – depending on design

Druck

up to 16,0 bar–
depending on design

design:

Butterfly valve wafer type

body:

cast iron EN GJL-250 – GG25 / epoxyd coating RAL5005

disc:

stainless steel ASTM A351 CF8M 1.4408

stem:

stainless steel AISI 420

pressure:

PN16

actuator:

lever with 10 levels up to DN150
gearbox

seat:

EPDM -15°C up to +110°C (vulcanized)
NBR -10°C up to +80°C (vulcanized)

flange:

EN 1092-1 PN10/16, from DN40 ANSI 150

pressure difference:

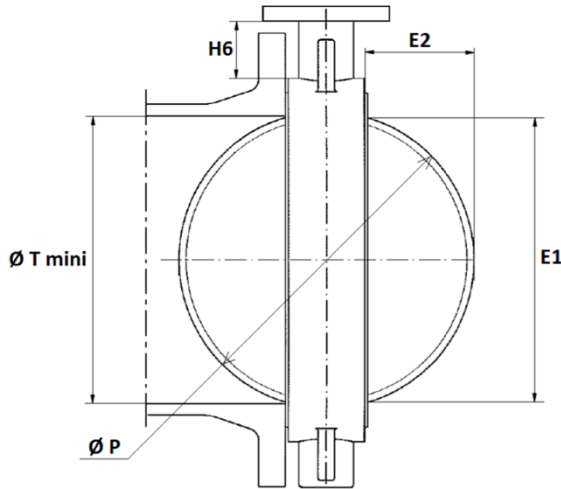
16 bar

Kv-value:

diameter	40	50	65	80	100	125	150	200	250	300
Kv at 90° opening	78	98	167	258	512	872	1347	2675	4555	7037

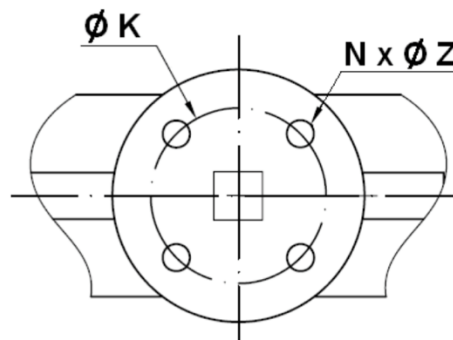
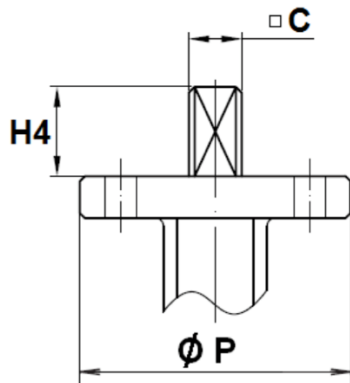
Dimensions butterfly valve wafer type (in mm):

DN	32/40	50	65	80	100	125	150	200	250	300
E1	37,7	47,06	59,81	75,56	98,37	117,02	147,65	195,3	242,5	292,6
E2	4,9	5	9,4	16,5	26,1	33,9	49,7	71,2	91,2	111,8
H6 +/-2	76,7	79	79	87,5	92,3	90,3	99,2	99,5	103,8	105,8
P	42,8	53	64,8	79,1	104,25	123,8	155,4	202,4	250,5	301,6
T mini	43	53	65	79,5	104,5	124	155,5	202,5	250,5	302



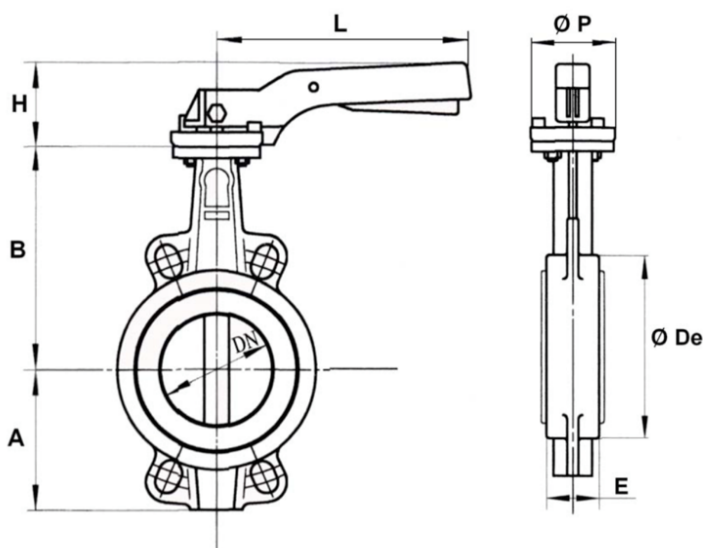
Dimensions mounting pad (in mm):

DN	32/40	50	65	80	100	125	150	200	250	300
C	9	9	9	9	11	14	14	17	22	27
K	50	50	50	50	50	70	70	102	125	125
ISO	F05	F05	F05	F05	F05	F07	F07	F10	F12	F12
Nx Z	4x7	4x7	4x7	4x7	4x7	4x9	4x9	4x11	4x13	4x13
H4	32	32	32	32	32	42	42	36	38	38
P	65	65	65	65	65	90	90	125	150	150



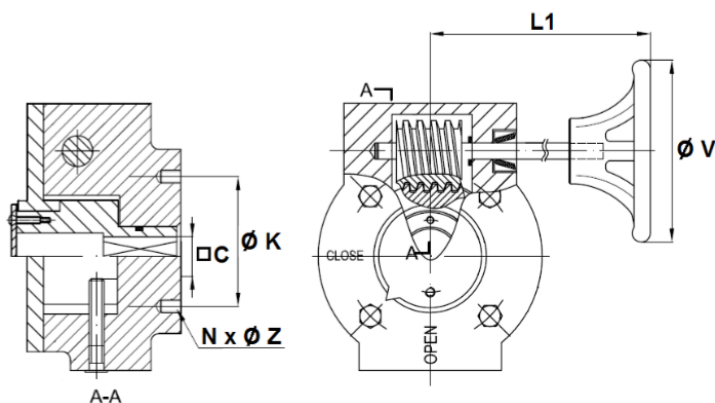
actuator lever (in mm):

DN	32/40	50	65	80	100	125	150	200	250	300
A	61	77	87,5	95	107	121,5	144	171	205	235
B	130	136,5	142	158	180	192	215	242	280	310
De Ø	82	95	109	121	152	180	207	260	315	370
E	33	43	46	46	52	56	56	60	68	78
H	70	70	70	70	70	71	71	40	44	44
L	195	195	195	195	195	278	278	355	507	507
P Ø	65	65	65	65	65	90	90	125	150	150
weight kg	1,85	2,53	2,86	3,16	4,21	6,67	7,66	14,67	23,4	33,8



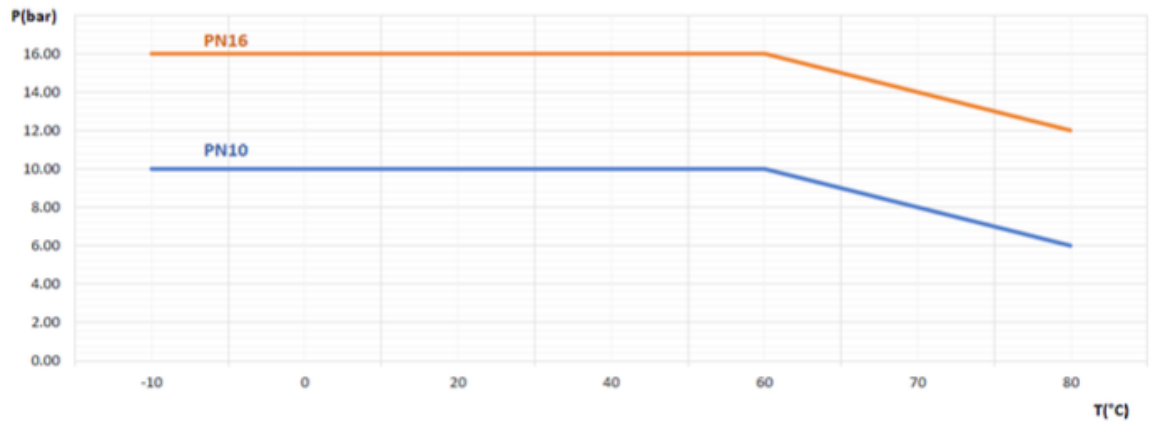
actuator gearbox (in mm):

DN	32/40	50	65	80	100	125	150	200	250	300
C	9	9	9	9	11	14	14	17	22	27
K Ø	50	50	50	50	50	70	70	102	125	125
ISO	F05	F05	F05	F05	F05	F07	F07	F10	F12	F12
NxZ Ø	4xM6	4xM6	4xM6	4xM6	4xM6	4xM8	4xm8	4xM10	4xM12	4xM12
L1	160	160	160	160	160	140	140	220	220	222
V Ø	150	150	150	150	150	245	245	297	297	297
weight (kg)	3,51	3,51	3,51	3,51	4,22	3,53	3,53	6,99	7,42	9,6

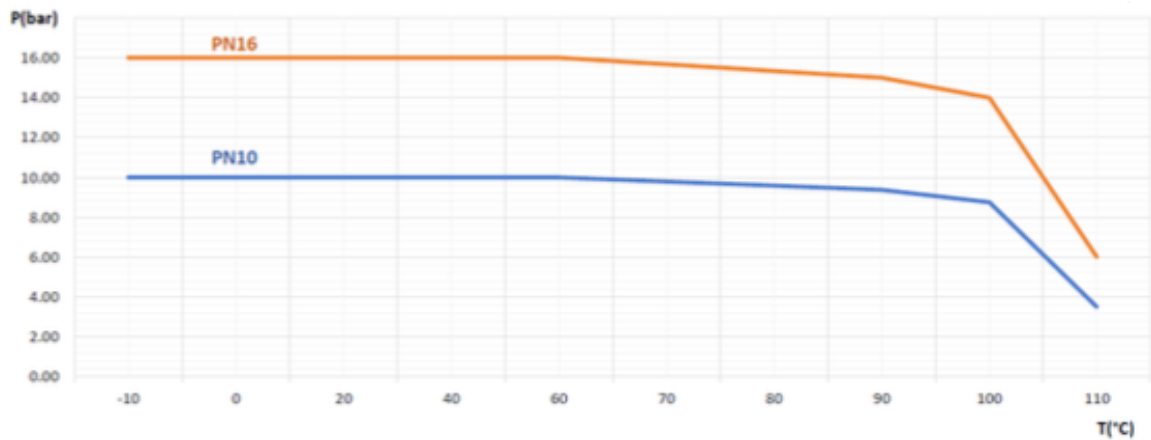


Pressure/Temperature graph (steam excluded):

NBR:



EPDM:



Article no.:

type	flange	seal	actuator	diameter
AK05 – butterfly valve	1 – PN10/PN16/ANSI150	0 – EPDM 1 - NBR	00 – lever 01 – gearbox	06 – DN32 07 – DN40 08 – DN50 09 – DN65 10 – DN80 11 – DN100 12 – DN125 13 – DN150 14 – DN200 15 – DN250 16 – DN300

example no. AK05100015:

AK05 | 1 | 0 | 00 | 15

Illustration similar, technical and dimensional changes reserved.