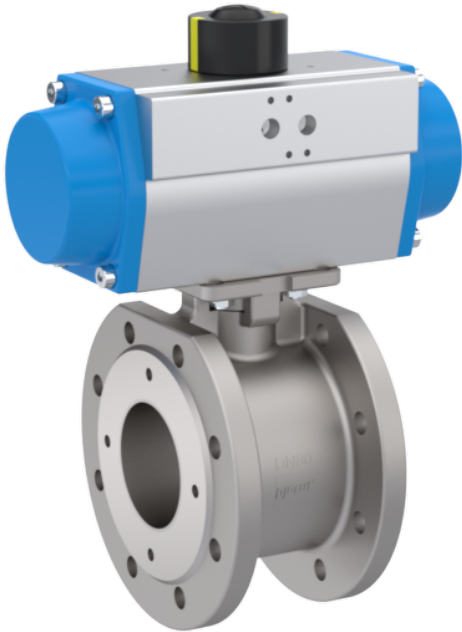


Flanged ball valve wafer type pneumatic actuator type PK07



Description:

Wafer type flanged ball valve made of stainless steel with pneumatic Actuator. Ball made of stainless steel to shut off a pipeline system.

Features:

- suitable for neutral and not neutral **gaseous & liquid media**
- no bridge necessary (except single acting DN125-DN50)
- Direct mounting of magnetic valves per Namur is also possible

Connection:

DN15, DN20, DN25, DN32, DN40, DN50, DN65, DN80, DN100, DN125, DN150

Construction:

Full port design

Pressure:

0 – 16 bar

Design:

Ball valve with pneumatic Actuator

Body:

Stainless steel 1.4408

Ball:

Stainless steel 1.4408

Ball sealing:

PTFE / TFM

Packing:

PTFE

Nominal diameter:

short

Flange connection:

Acc. to EN 1092-1 PN16

Temperature:

-20°C to +180°C (depending on working pressure)

Body actuator:

Aluminium hard anodized

Shaft:

Steel nickel plated

Piston:

Aluminium

Seals:

Perbunan

Temperature:

-20°C to +80°C

Control pressure:

min. 6 bar up to max. 8 bar

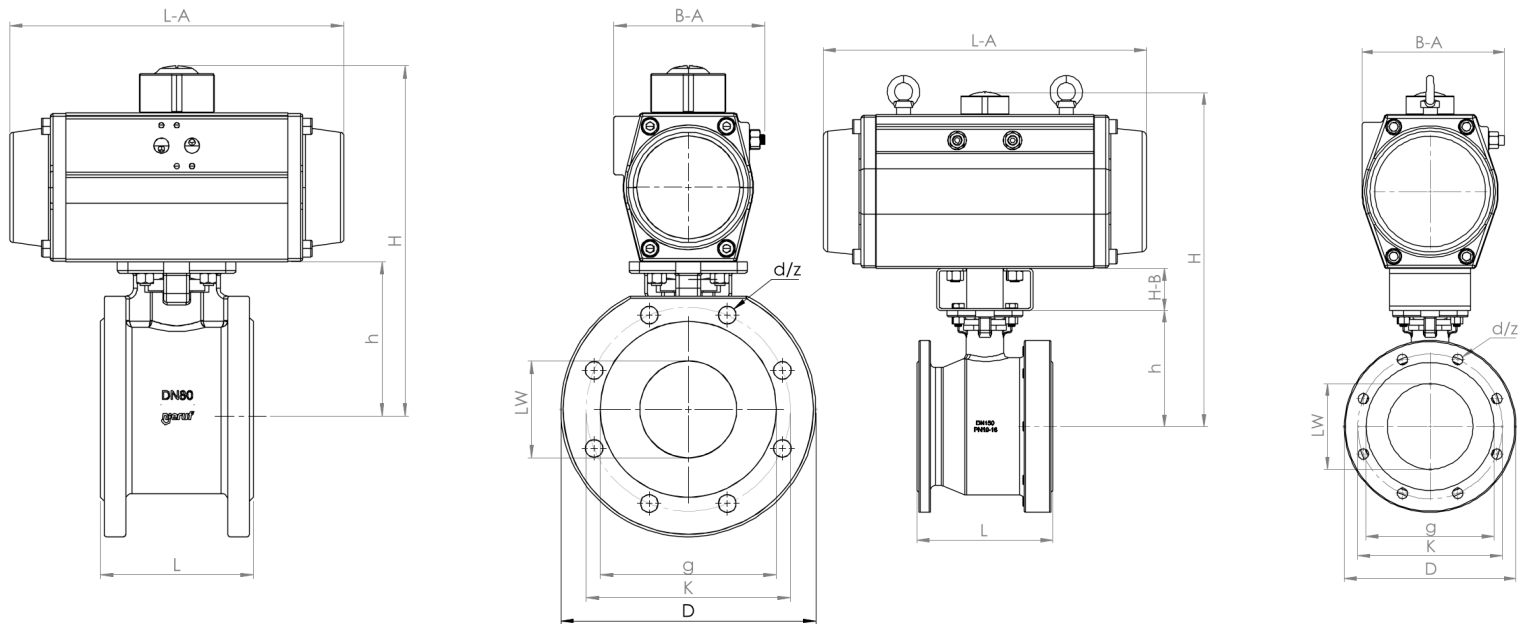
Operating media:

Filtered and oiled air acc. to DIN ISO 8573-1: 2010 [7:-:4]

Remarks:

- Suitable for industrial purposes
- The dimension of the device is calculated with a control pressure rate from 6 bar to 8 bar
- For non-greasing mediums (e. g. water) or/and long non-working time it might be necessary to choose a bigger actuator size. In this case please contact our technical staff

Dimensions:



Single-acting DN125-DN150

type: double acting

| DN | PN | L | h | LW | g | K | D | d | z | H | H-B | L-A | B-A | actuator |
|-----|----|-----|------|------|-----|-----|-----|-----|---|-------|-----|-----|-------|----------|
| 15 | 16 | 42 | 49 | 15 | 45 | 65 | 95 | M12 | 4 | 135 | / | 114 | 55 | GD-032 |
| 20 | 16 | 44 | 53,5 | 20 | 58 | 75 | 105 | M12 | 4 | 150,5 | / | 120 | 75,5 | GD-040 |
| 25 | 16 | 50 | 62 | 25 | 68 | 85 | 115 | M12 | 4 | 159 | / | 120 | 75,5 | GD-040 |
| 32 | 16 | 60 | 72 | 32 | 78 | 100 | 140 | M16 | 4 | 181 | / | 147 | 74,5 | GD-052 |
| 40 | 16 | 65 | 78 | 38 | 88 | 110 | 150 | M16 | 4 | 203 | / | 165 | 83 | GD-063 |
| 50 | 16 | 80 | 86 | 50 | 102 | 125 | 165 | M16 | 4 | 211 | / | 165 | 83 | GD-063 |
| 65 | 16 | 110 | 108 | 63,5 | 122 | 145 | 185 | M16 | 4 | 254 | / | 208 | 103 | GD-083 |
| 80 | 16 | 120 | 116 | 76 | 138 | 160 | 200 | M16 | 8 | 269,5 | / | 262 | 109,5 | GD-092 |
| 100 | 16 | 150 | 139 | 95 | 162 | 180 | 220 | M16 | 8 | 309 | / | 270 | 124,5 | GD-105 |
| 125 | 16 | 180 | 176 | 118 | 188 | 210 | 250 | M16 | 8 | 410 | / | 454 | 180 | GD-160 |
| 150 | 16 | 225 | 192 | 142 | 212 | 240 | 285 | M20 | 8 | 426 | / | 454 | 180 | GD-160 |

type: single acting (spring closing)

| DN | PN | L | h | LW | g | K | D | d | z | H | H-B | L-A | B-A | actuator |
|------|----|-----|------|------|-----|-----|-----|-----|---|-------|-----|-----|-----|----------|
| 15 | 16 | 42 | 49 | 15 | 45 | 65 | 95 | M12 | 4 | 158 | / | 147 | 83 | GS-052 |
| 20 | 16 | 44 | 53,5 | 20 | 58 | 75 | 105 | M12 | 4 | 162,5 | / | 147 | 83 | GS-052 |
| 25 | 16 | 50 | 62 | 25 | 68 | 85 | 115 | M12 | 4 | 187 | / | 165 | 95 | GS-063 |
| 32 | 16 | 60 | 72 | 32 | 78 | 100 | 140 | M16 | 4 | 208,5 | / | 182 | 106 | GS-075 |
| 40 | 16 | 65 | 78 | 38 | 88 | 110 | 150 | M16 | 4 | 224 | / | 208 | 115 | GS-083 |
| 50 | 16 | 80 | 86 | 50 | 102 | 125 | 165 | M16 | 4 | 239,5 | / | 262 | 118 | GS-092 |
| 65 | 16 | 110 | 108 | 63,5 | 122 | 145 | 185 | M16 | 4 | 278 | / | 270 | 122 | GS-105 |
| 80 | 16 | 120 | 116 | 76 | 138 | 160 | 200 | M16 | 8 | 308 | / | 301 | 150 | GS-125 |
| 100 | 16 | 150 | 139 | 95 | 162 | 180 | 220 | M16 | 8 | 348 | / | 395 | 159 | GS-140 |
| *125 | 16 | 180 | 549 | 118 | 188 | 210 | 250 | M16 | 8 | 539 | 70 | 536 | 236 | GS-210 |
| *150 | 16 | 225 | 565 | 142 | 212 | 240 | 285 | M20 | 8 | 555 | 70 | 536 | 236 | GS-210 |

*bridge necessary

Article number:

| Type | Version | Seal | Size |
|-------------|--|------------------|---|
| PK07 | 00 – double acting GD 01 – single acting GS normally closed 02 – single acting GS normally open | 00 – PTFE | 03 – DN15 04 – DN20 05 – DN25 06 – DN32 07 – DN40 08 – DN50 09 – DN65 10 – DN80 11 – DN100 12 – DN125 13 – DN150 |

Example no. PK07000005:

PK07 | **00** | **00** | **05**

Flanged ball valve wafer type with pneumatic actuator

Version: double acting GD

Seal: PTFE

Size: DN25

NOTE:

Standard for single acting actuator is closing with spring force.

Image similar, subject change without notice.