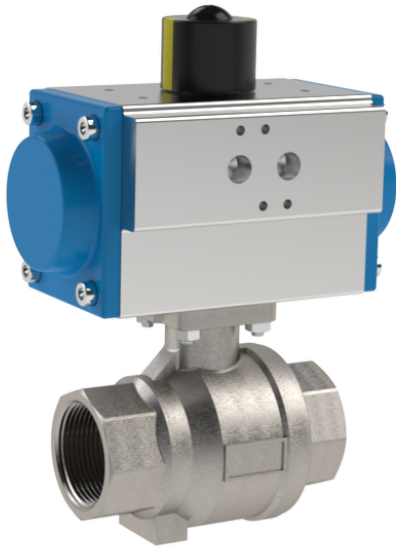


Ball valve stainless steel with pneumatic actuator type PK02



Description:

Two-piece stainless steel ball valve, made of stainless steel, with pneumatic actuator. Stainless steel ball to shut off pipeline systems.

Features:

- suitable for neutral and not neutral **gaseous & liquid media**
- free of silicone
- pneumatic actuator will be mounted directly on the ball valve
- low-maintenance
- fast closure & opening times
- suitable for mounting of switch box

Connection:

1/4", 3/8", 1/2", 3/4", 1", 1 1/4", 1 1/2", 2" inch

Construction:

Two-piece ball valve

Pressure:

0 – 40 bar – depending on design

Design:

Body:

Ball:

Ball sealing:

Stem:

Stem sealing:

Two-piece ball valve with pneumatic actuator

Stainless steel 1.4408

Stainless steel 1.4408

PTFE

Stainless steel 1.4401

Standard: FKM (max. differential pressure of 7 bar)

DVGW-W: EPDM

Temperature resistance ball valve:

Standard: -20°C to +180°C*

DVGW-W: 0°C to 65°C*

Temperature resistance actuator:

-20°C to +80°C

Body actuator:

hard-coated aluminum alloy

Shaft:

anti-corrosion steel

Piston:

aluminum alloy

actuator sealing:

NBR

Control pressure:

min. 6 bar up to 8 bar

Operating media:

filtered air with regard to residual oil content, dust and water, at least according to DIN ISO 8573-1: 2010 [7:-:4]

SIL-level:

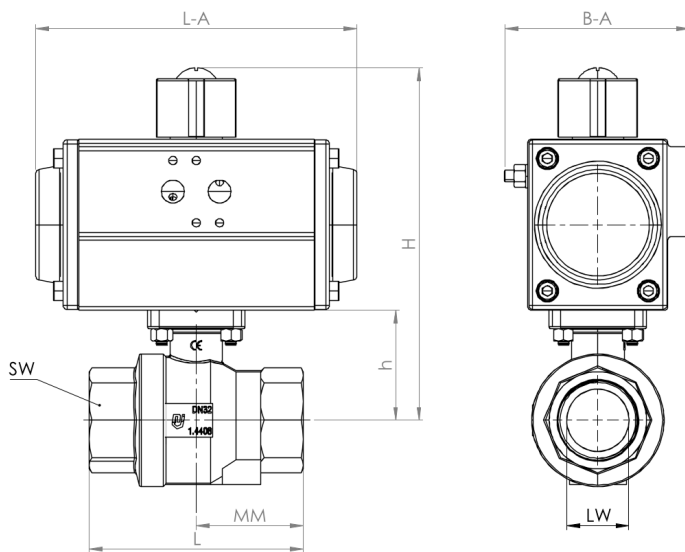
SIL3 test basis IEC 61508 Parts 1-2 and 4-7:2010

*temperature data based on the operating pressure – please refer to the pressure-temperature diagram on page 3

Remarks:

- Suitable for industrial purposes
- The dimension of the device is calculated with a control pressure rate from 6 bar to 8 bar
- For non-working time it might be necessary to choose a bigger actuator size. In this case please contact our technical staff

dimensions:



Standard:

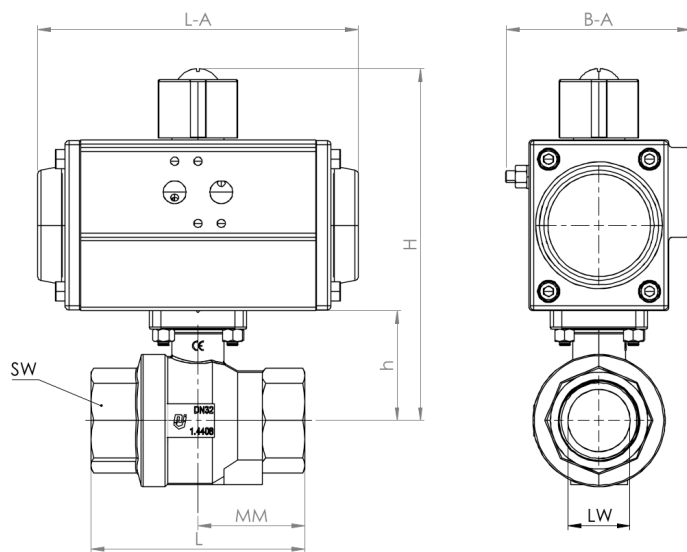
Mode of function: GD = double acting

DN	PN	DIN EN 10226-1	LW	SW	MM	L	h	H	B-A	L-A	Actuator
8	40	Rp1/4"	8	27	37,5	75	33,5	120	55	114	GD.032
10	40	Rp3/8"	10	27	37,5	75	33,5	120	55	114	GD.032
15	40	Rp1/2"	15	27	37,5	75	33,5	120	55	114	GD.032
20	40	Rp3/4"	20	32	40	80	37	123	55	114	GD.032
25	40	Rp1"	25	41	45	90	50,5	148	75	120	GD.040
32	40	Rp1 1/4"	32	50	55	110	56,5	154	75	120	GD.040
40	40	Rp1 1/2"	40	55	60	120	67	190	95	165	GD.063
50	40	Rp2"	50	70	70	140	75	200	95	165	GD.063

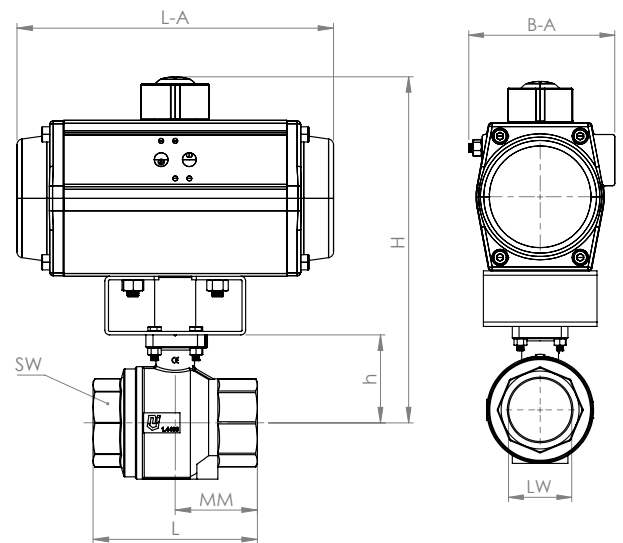
Mode of function: GS = single acting (spring closing)

DN	PN	DIN EN 10226-1	LW	SW	MM	L	h	H	B-A	L-A	Actuator
8	40	Rp1/4"	8	27	37,5	75	33,5	142	83,5	147	GS.052
10	40	Rp3/8"	10	27	37,5	75	33,5	142	83,5	147	GS.052
15	40	Rp1/2"	15	27	37,5	75	33,5	142	83,5	147	GS.052
20	40	Rp3/4"	20	32	40	80	37	146	83,5	147	GS.052
25	40	Rp1"	25	41	45	90	50,5	160	83,5	147	GS.052
32	40	Rp1 1/4"	32	50	55	110	56,5	181	95	165	GS.063
40	40	Rp1 1/2"	40	55	60	120	67	192	95	165	GS.063
50	40	Rp2"	50	70	70	140	75	211	105	182	GS.075

without bridge:



with bridge:



For single acting version DN20 and DN50

DVGW-W:

Mode of function: GD = double acting

DN	PN	DIN EN 10226-1	LW	SW	MM	L	h	H	B-A	L-A	Drehantrieb
8	10	Rp1/4"	8	27	37,5	75	33,5	120	55	114	GD.032
10	10	Rp3/8"	10	27	37,5	75	33,5	120	55	114	GD.032
15	10	Rp1/2"	15	27	37,5	75	33,5	120	55	114	GD.032
20	10	Rp3/4"	20	32	40	80	37	123	83,5	147	GD.052
25	10	Rp1"	25	41	45	90	50,5	148	83,5	147	GD.052
32	10	Rp1 1/4"	32	50	55	110	56,5	154	95	165	GD.063
40	10	Rp1 1/2"	40	55	60	120	67	190	95	165	GD.063
50	10	Rp2"	50	70	70	140	75	200	106	182	GD.075

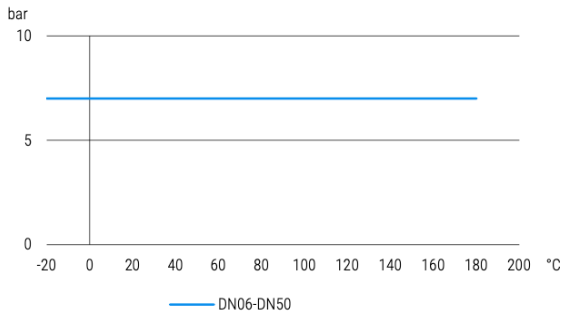
Mode of function: GS = single acting (spring closing)

DN	PN	DIN EN 10226-1	LW	SW	MM	L	h	H	B-A	L-A	Drehantrieb
8	10	Rp1/4"	8	27	37,5	75	33,5	142	83,5	147	GS.052
10	10	Rp3/8"	10	27	37,5	75	33,5	142	83,5	147	GS.052
15	10	Rp1/2"	15	27	37,5	75	33,5	142	83,5	147	GS.052
20	10	Rp3/4"	20	32	40	80	37	146	95	165	GS.063
25	10	Rp1"	25	41	45	90	50,5	160	106	182	GS.075
32	10	Rp1 1/4"	32	50	55	110	56,5	181	115	208	GS.083
40	10	Rp1 1/2"	40	55	60	120	67	192	118,5	262	GS.092
50	10	Rp2"	50	70	70	140	75	211	132	270	GS.105

Pressure-temperature-diagram:

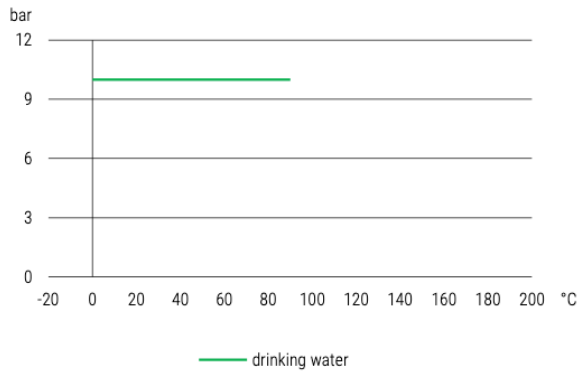
Standard:

Druck-Temperatur-Diagramm pressure-temperature-diagram



DVGW-W (drinking water):

Druck-Temperatur-Diagramm pressure-temperature-diagram



Article number:

Type	Version	Seal	Size
PK02	00 – double acting	00 – Standard*	01 – 1/4"
	01 – single acting normally closed		02 – 3/8"
	02 – single acting normally open	01 – DVGW-W	03 – 1/2"
			04 – 3/4"
			05 – 1"
			06 – 1 1/4"
			07 – 1 1/2"
			08 – 2"

Example no. PK02000005:

PK02 | **00** | **00** | **05**

Ball valve made of stainless steel with pneumatic actuator

Version: double acting

Seal: PTFE

Size: 1"

***Please note:**

If used with non-greasing media (e.g. water) or high pressures (>7bar differential pressure) a stronger actuator may need to be installed. Please contact us for a configuration.

Image similar, subject change without notice.