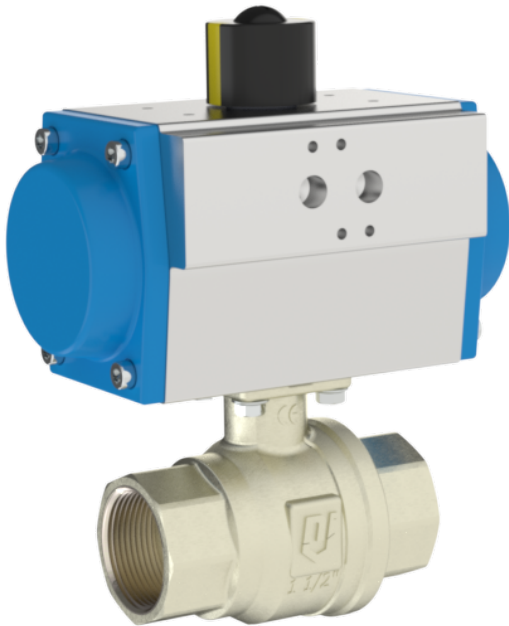


Ball valve brass with pneumatic actuator type PK01



Description:

Two-pieces brass ball valve, made of brass, with pneumatic actuator. Stainless-Steel ball to shut off pipeline systems.

Features:

- suitable for neutral and not neutral **gaseous & liquid media**
- free of silicone
- no bracket and no coupler essential, pneumatic actuator is mounted directly on the ball valve
- Installation of limit switch boxes or position indicators possible

Connection:

1/4", 3/8", 1/2", 3/4", 1", 1 1/4", 1 1/2", 2", Inch

Construction:

Two piece ball valve

Pressure:

0 – 65 bar – depending on design
Differential pressure 16 bar

Design:

Two-piece ball valve with pneumatic actuator

Body:

Brass nickel plated CW617N

Ball:

stainless steel 1.4408

Ball sealing:

PTFE GF

Stem sealing:

FPM/Viton

Nominal diameter:

Acc. to DIN 3202 – M3

Temperature:

generally -20°C to +180°C (depending on working pressure)

Body actuator:

Aluminium-alloy, hard anodized

Shaft:

corrosion-protected steel

Piston:

aluminium-alloy

Seals:

NBR

Temperature:

-20°C to +80°C

Control pressure:

min. 6 bar up to 8 bar

Operating media:

filtered air with regard to residual oil content, dust and water, at least according to DIN ISO 8573-1: 2010 [7:-:4]

SIL-level:

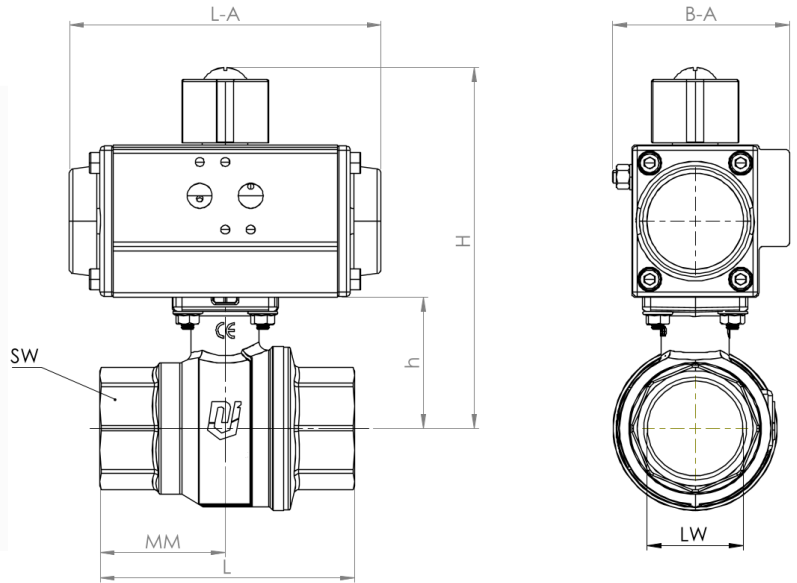
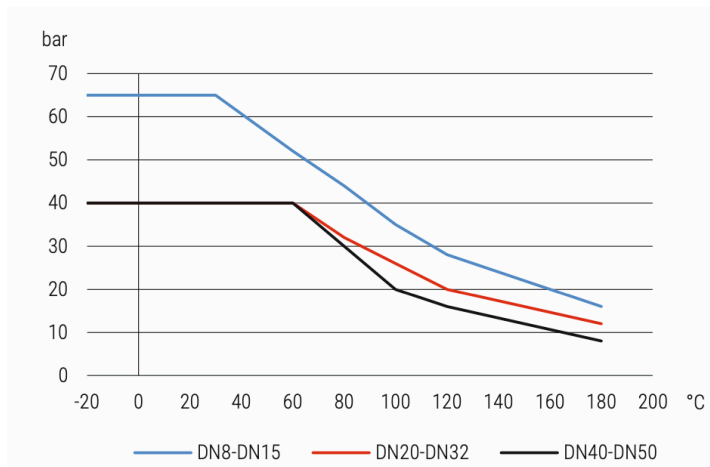
SIL3 test basis IEC 61508 Parts 1-2 and 4-7:2010

Remarks:

- Suitable for industrial purposes
- The dimension of the device is calculated with a control pressure rate from 6 bar to max. 8 bar
- For non-greasing mediums (e. g. water, dry pressure air), high pressure or/and long non-working time it might be necessary to choose a bigger actuator size. In this case please contact our sales department.

Pressure-temperature diagram:

Druck-Temperatur-Diagramm pressure-temperature-diagram



Dimensions:

Mode of function: GD = double acting

DN	PN	DIN EN 10226-1	LW	SW	MM	L	h	H	B-A	L-A	actuator
8	65	Rp1/4"	8	22	25	60	23	108,6	55	114	GD.032
10	65	Rp3/8"	10	22	25	60	23	108,6	55	114	GD.032
15	65	Rp1/2"	15	27	31,5	75	31	116,6	55	114	GD.032
20	40	Rp3/4"	20	32	37,5	80	38,5	123,6	55	114	GD.032
25	40	Rp1"	25	41	44,5	90	42,5	129	55	114	GD.032
32	40	Rp1 1/4"	32	50	52,5	110	55,5	164	83,5	147	GD.052
40	40	Rp1 1/2"	40	55	59	120	62	171	83,5	147	GD.052
50	40	Rp2"	50	69	67,5	140	69	197	95	165	GD.063

Mode of function: GS = single acting (spring closing)

DN	PN	DIN EN 10226-1	LW	SW	MM	L	h	H	B-A	L-A	actuator
8	65	Rp1/4"	8	22	25	60	23	132	83,5	147	GS.052
10	65	Rp3/8"	10	22	25	60	23	132	83,5	147	GS.052
15	65	Rp1/2"	15	27	31,5	75	31	140	83,5	147	GS.052
20	40	Rp3/4"	20	32	37,5	80	38,5	148	83,5	147	GS.052
25	40	Rp1"	25	41	44,5	90	42,5	156	83,5	147	GS.052
32	40	Rp1 1/4"	32	50	52,5	110	55,5	180	95	165	GS.063
40	40	Rp1 1/2"	40	55	59	120	62	198	106	182	GS.075
50	40	Rp2"	50	69	67,5	140	69	216	119	262	GS.092

Article number:

Type	Version	Seal	Size
PK01	00 – double acting	00 – PTFE	01 – 1/4"
	01 – single acting normally closed		02 – 3/8"
	02 – single acting normally open		03 – 1/2"
			04 – 3/4"
			05 – 1"
			06 – 1 1/4"
			07 – 1 1/2"
			08 – 2"

Example no. PK01000005:

PK01 | **00** | **00** | **05**

Ball valve made of brass with pneumatic actuator
 Version: double acting
 Seal: PTFE
 Size: 1"

NOTE:

Standard for single acting actuator is closing by spring force. For spring-open actuators please contact us.

Image similar, subject change without notice.