

PVC-ball valve type KK01



description:

PVC-ball valve with double union and secure ball made of PVC with lever in compact design. To shut off pipeline systems. Ideal for media like chlorine water, swimming pools.

features:

- Suitable for water treatment, swimming pools, pond building etc.
- Long life time
- Secure ball
- Double union

connection:

adhesive connection d16 to d110mm – depending on design

pressure:

0 – 16 bar – depending on design

design:

double union

connection:

adhesive connection

body:

PVC-U

ball:

PVC-U

seal:

Hytre/EPDM or PTFE/Viton

lever:

PVC-U

lever colour:

red

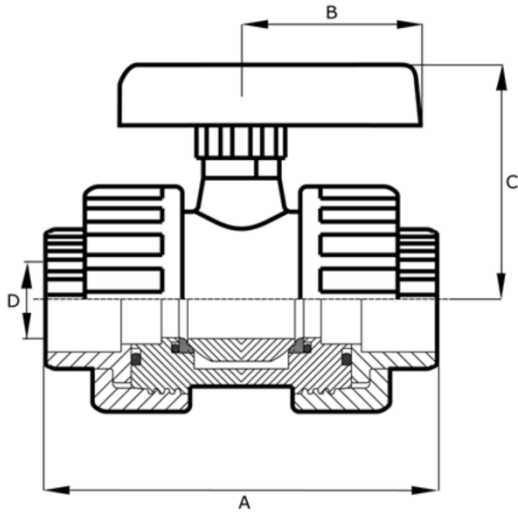
temperature:

-10 to 45 °C, short term up to 60 °C

dimensions:

connection	A mm	B mm	C mm	D mm	(d) inlet	Max. press.	weight
DN 10 - d16	86	35	46	16	Ca. 15	16 bar	0,130
DN15 - d20	88	35	46	20	Ca. 15	16 bar	0,123
DN20 - d25	116	54	71	25	Ca. 20	16 bar	0,345
DN25 - d32	130	54	71	32	Ca. 25	16 bar	0,346
DN32 - d40	150	65	93	40	Ca. 38	16 bar	0,780
DN40 - d50	157	65	93	50	Ca. 40	16 bar	0,790
DN50 - d63	186	74	107	63	Ca. 48	16 bar	1,100
DN65 - d75	225	100	122	75	Ca. 64	10 bar	2,500
DN80 - d90	249	123	148	90	Ca. 80	10 bar	3,800
DN100 - d110	265	123	148	110	Ca. 80	10 bar	3,600

Tolerances in dimensions are possible



Article number:

construction		seal	thread
KK01	00	00 – Hytrel/EPDM 01 – PTFE/Viton	01 – d16 02 – d20 03 – d25 04 – d32 05 – d40 06 – d50 07 – d63 08 – d75 09 – d90 10 – d110

example No. **KK01000104:**

KK01	00	01	04
-------------	-----------	-----------	-----------

Ball valve made of PVC

connection: adhesive connection

Seal: PTFE/Viton

thread: d32

Note: construction with PTFE/Viton seal only available from thread d20 to d63.

Image similar, subject change without notice.