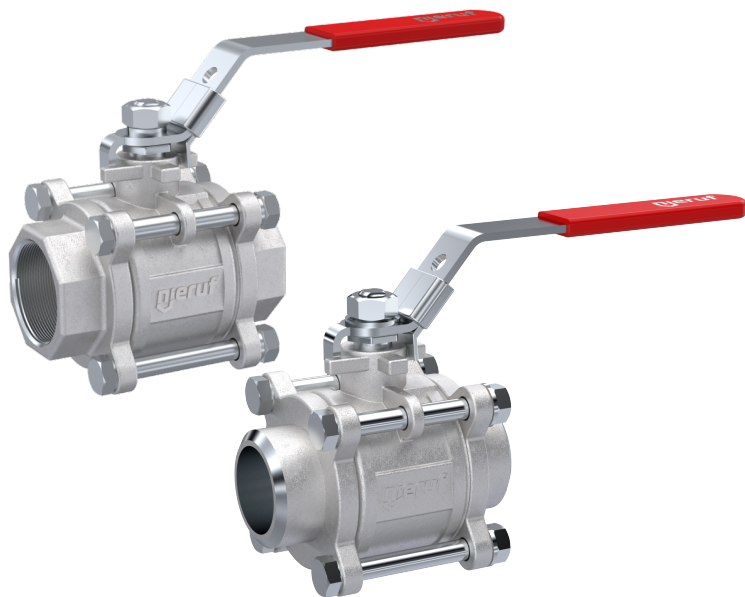


3-pieces stainless steel ball valve TYPE GK17



description:

3-pieces ball valve with thread or butt welding. Made of stainless steel with full port. Stainless steel ball. Optional with stem extension.

product features:

- suitable for liquid and gaseous media
- 3-pieces body
- anti blow-out stem
- locking device

connection:

1/4" up to 4" inch
FM, butt welding, FM NPT

design:

full port

pressure:

0 – max. 63 bar
depending on design

design:

connection:

body material:

ball material:

body gasket:

packing:

handle:

temperature:

3-pieces ball valve with full port

female thread BSP 228-1 / female thread NPT / butt welding

stainless steel 1.4408 / ASTM A35 CF8M

stainless steel 1.4401 / AISI 316

PTFE

PTFE

stainless steel 1.4301 / AISI 304

-20°C bis +180°C (depending on working pressure)

max. pressure:

up to 3/4" inch:

max. 63 bar

1" bis 2" inch:

max. 40 bar

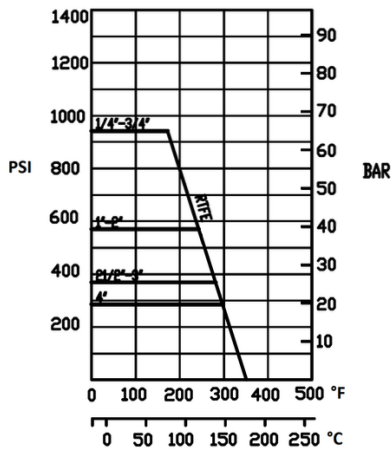
2 1/2" bis 3" inch:

max. 25 bar

4" inch:

max. 20 bar

pressure-temperature-graph:



flow coefficient (in m³/h):

DN	1/4"	3/8"	1/2"	3/4"	1"	1 1/4"	1 1/2"	2"	2 1/2"	3"	4"
Kvs	5,2	5,2	20,7	30,2	40,6	70	90,8	208,4	275,9	501,6	865

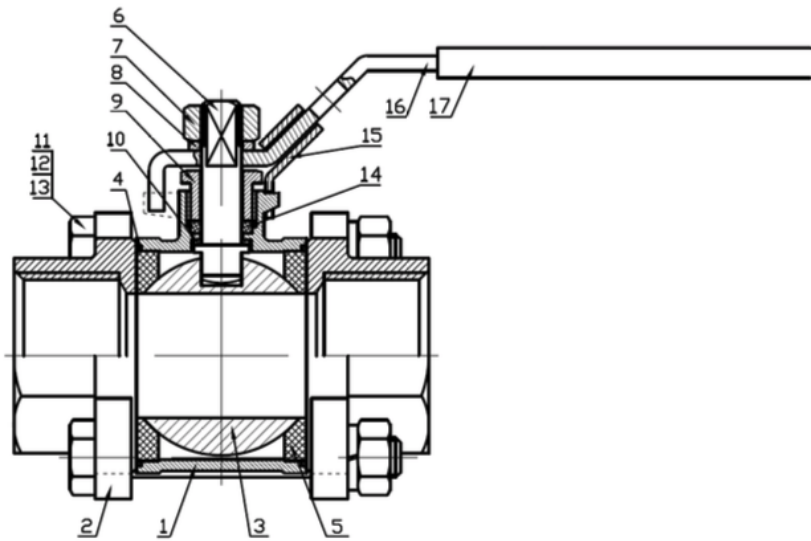
bolt tightening table (in Nm):

DN	1/4"	3/8"	1/2"	3/4"	1"	1 1/4"	1 1/2"	2"	2 1/2"	3"	4"
torque	4	4	8	8	10	13	20	20	35	45	65

standards:

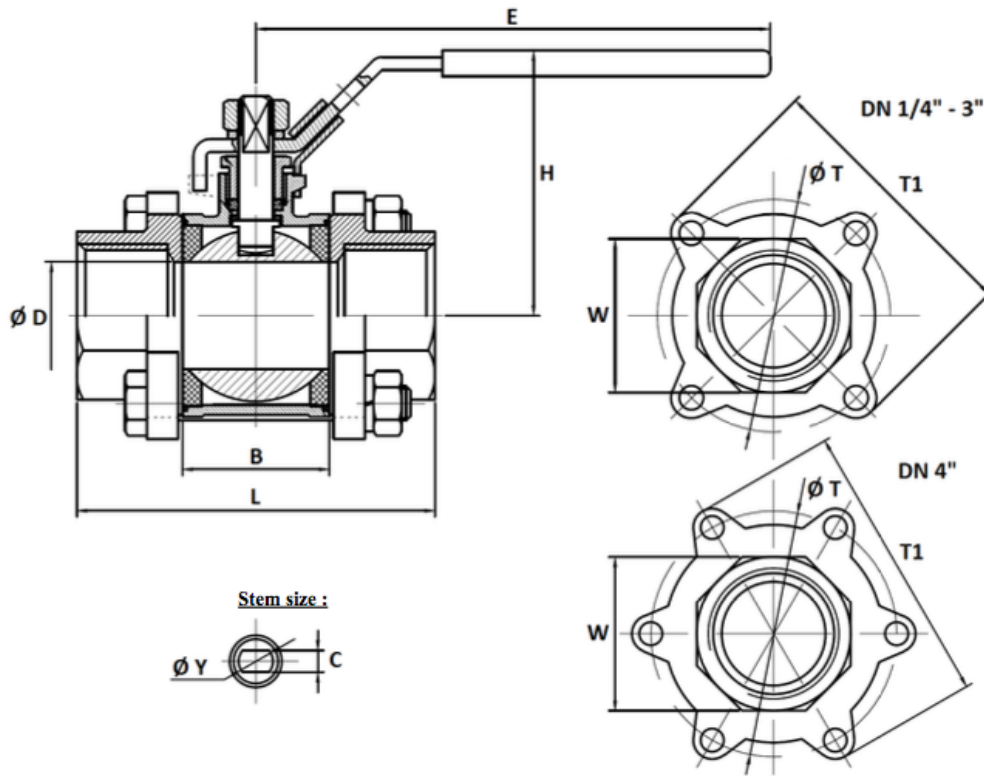
- DIRECTIVE 2014/68/EU: CE N° 0038
Risk Category III Modul H
- pressure test acc. to API 598
- threaded BSP cylindrical ends acc. to ISO 228-1
- threaded NPT ends acc. to ANSI B1.20.1

materials:



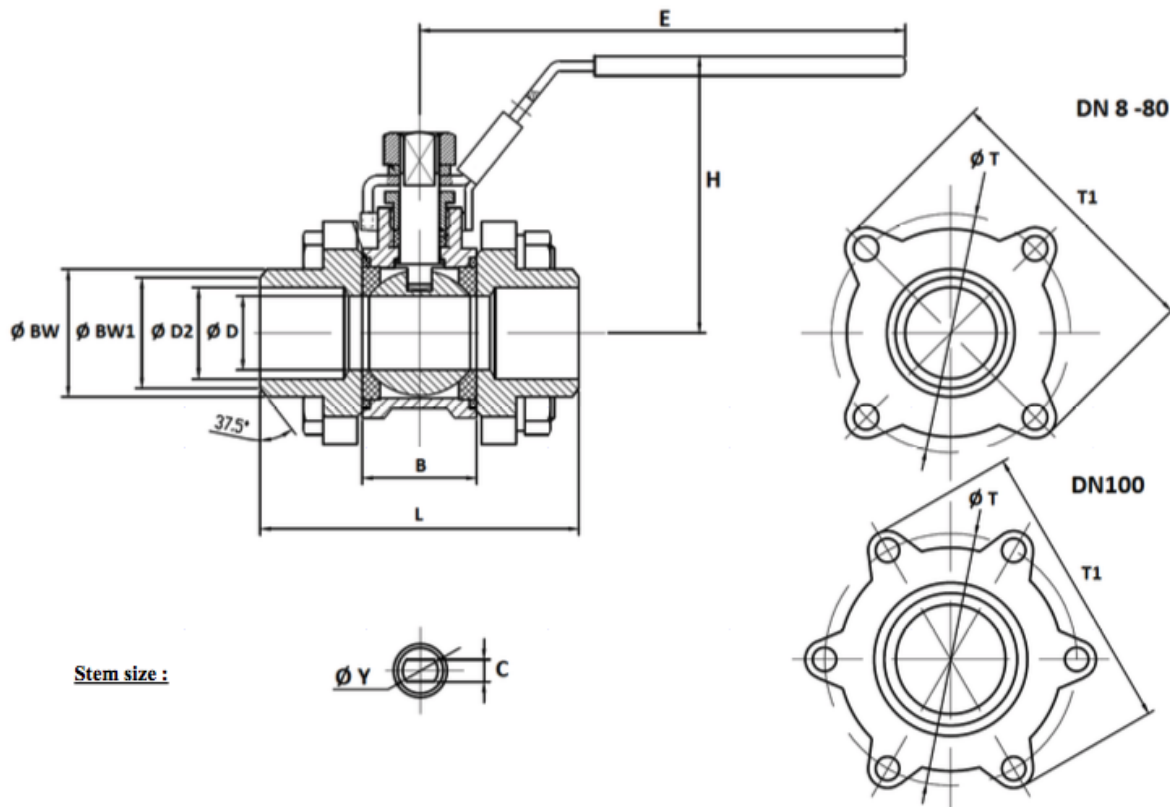
no.	designation	materials
1	body	1.4408 / ASTM A351 CF8M
2	ends	1.4408 / ASTM A351 CF8M
3	ball	1.4401 / AISI 316
4	body gasket	PTFE
5	seat	PTFE
6	stem	1.4401 / AISI 316
7	packing nut	1.4301 / AISI 304
8	handle washer	1.4301 / AISI 304
9	packing gland	1.4301 / AISI 304
10	thrust washer	PTFE
11	stud	1.4301 / AISI 304
12	stud washer	1.4301 / AISI 304
13	stud nut	1.4301 / AISI 304
14	packing	PTFE
15	locking device	1.4301 / AISI 304
16	handle	1.4301 / AISI 304
17	handle cover	plastic

dimensions ball valve with threaded ends (in mm):



DN	1/4"	3/8"	1/2"	3/4"	1"	1 1/4"	1 1/2"	2"	2 1/2"	3"	4"
Ø D	11,6	12,5	15	20	25	32	38	50	64	76	100
L	59	59	63,3	70,6	82	97	109	124,6	162	175	216
B	21,1	21,1	23,3	28,6	34	44	51	63	84,3	94,7	119,2
E	103	103	126	126	162	162	193	193	230	230	320
H	49	49	57	62	72	78	91	102	122	132	177
Ø Y	M8	M8	M8	M8	M10	M10	M12	M12	M14	M14	M20
C	5	5	5	5	6,5	6,5	8,5	8,5	9,8	9,8	16
Ø T	38,5	38,5	43	51,5	58	70	81,5	101	136	157	195,5
T1	51	51	57,5	66	74,5	86,5	100,5	121,5	161	185	226,5
W	18	21	26	32	39	48	55	67	83	99	127
weight (kg)	0,30	0,30	0,45	0,60	0,86	1,32	2,03	3,19	7,06	10,7	20,95

dimensions ball valve with butt welding end (in mm):



DN	8	10	15	20	25	32	40	50	65	80	100
Ø D	11,6	12,5	15	20	25	32	38	50	64	76	100
L	59	59	63,3	70,6	82	97	109	124,6	162	175	216
B	21,1	21,1	23,3	28,6	34	44	51	63	84,3	94,7	119,2
E	103	103	126	126	162	162	193	193	230	230	320
H	49	49	57	62	72	78	91	102	122	132	177
Ø Y	M8	M8	M8	M8	M10	M10	M12	M12	M14	M14	M20
C	5	5	5	5	6,5	6,5	8,5	8,5	9,8	9,8	16
Ø T	38,5	38,5	43	51,5	58	70	81,5	101	136	157	195,5
T1	51	51	57,5	66	74,5	86,5	100,5	121,5	161	185	226,5
Ø BW	15,5	17,5	22	27,3	34	42,7	48,7	61	76,5	90	115
Ø BW1	13,3	14,5	17	22,5	28,6	36	43	54	68	84	104
Ø D2	11,6	12,5	15	20	25	32	39,8	50	64	76	100
weight (kg)	0,30	0,30	0,45	0,60	0,86	1,35	2,03	3,19	7,06	10,7	20,95

article-no.:

type	connection	design	size
GK17	00 – female thread BSP 01 – butt welding 02 – female thread NPT	00 – standard	01 – 1/4" / DN8 02 – 3/8" / DN10 03 – 1/2" / DN15 04 – 3/4" / DN20 05 – 1" / DN25 06 – 1 1/4" / DN32 07 – 1 1/2" / DN40 08 – 2" / DN50 09 – 2 1/2" / DN65 10 – 3" / DN80 11 – 4" / DN100

Example no. GK17000005:

GK17 | **00** | **00** | **05**

3-pieces ball valve made of stainless steel
 connection: female thread BSP
 design: standard
 size: 1"

Image similar, subject change without notice.