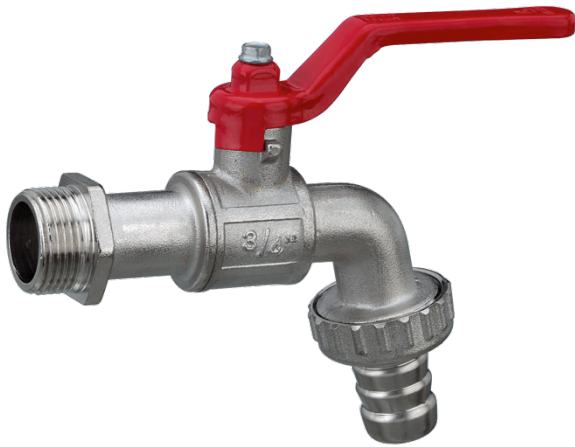


Ball bib-cock Type GK10



Description:

Bib-cock ball valve made of brass with hose nozzle to shut off systems.

Features:

- suitable for **gaseous & liquid media**
- with hose nozzle
- red painted steel handle
- industrial design

Connection:

3/8", 1/2", 3/4", 1" Inch

Construction:

with hose nozzle

Pressure:

0 – 15 bar – depending on design

Design:

bib-cock ball valve with hose nozzle

Body:

brass nickel plated

Ball:

brass hard chrome plated

Ball seal:

PTFE

Gland:

PTFE

Hose nozzle:

steel nickel plated

Handle:

steel, red painted

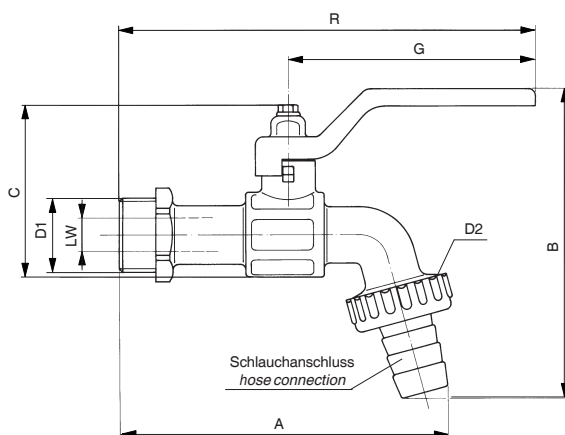
Temperature:

air -15°C to +110°C

water 0°C to +80°C

Dimensions:

D1	LW	PN	D2	hose connection	C	R	A	B	G	SW
G 3/8"	10	15	G 3/4"	1/2	53	134	100	93	80	22
G 1/2"	10	15	G 3/4"	1/2	53	137	105	93	80	24
G 3/4"	12	15	G 1"	3/4	57	149	115	105	88,5	30
G 1"	15	12	G 1 1/4"	1	60	158	135	126	88,5	36



Article number:

Thread	3/8"	1/2"	3/4"	1"
GK100000-XX	02	03	04	05

Article number:

Type	Version	Seal	Size
GK10	00 – with hose nozzle	00 – PTFE	02 – 3/8" 03 – 1/2" 04 – 3/4" 05 – 1"

Example no. GK10000005:

GK10	 00	 00	 05
-------------	-------------	-------------	-------------

Ball bib-cock

Version: with hose nozzle

Seal: PTFE

Size: 1"

Image similar, subject change without notice.