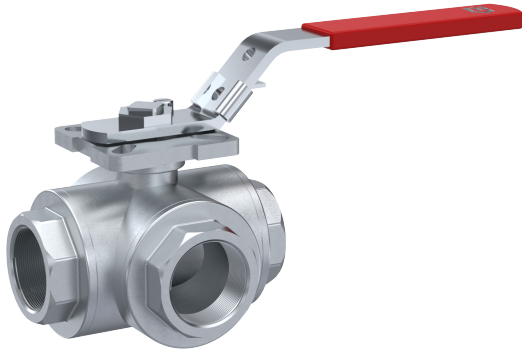


three-way ball valve stainless steel type GK09



Description:

Three-way ball valve with thread connection made of stainless steel with reduced port design. Stainless steel ball and PTFE ball sealing to shut off a pipeline system.

Features:

- reduced port design
- L- or T-bore
- Locking device
- blow out proof stem design
- ISO 5211

Connection:

1/4", 3/8", 1/2", 3/4", 1", 1 1/4", 1 1/2", 2", Inch

Construction:

Reduced port design

Pressure:

0 – 40 bar

type	body material	ball seal & stem seal & body seal	temperature	pressure	handle	certification
GK0900 – T-bore	Stainless steel 1.4408	PTFE & FKM & PTFE	-25°C to +180°C (depending on working pressure)	PN40	handle	2014/68/EU : CE N° 0036 Risk Category II Module A2, ATEX Group II Category 2 GD c T2 Zone 1 & 21 Zone 2 & 22
GK0901 – L-bore						

Design:

Ball:

Stem sealing:

Handle:

Media:

reduced port design with T- or L-Option

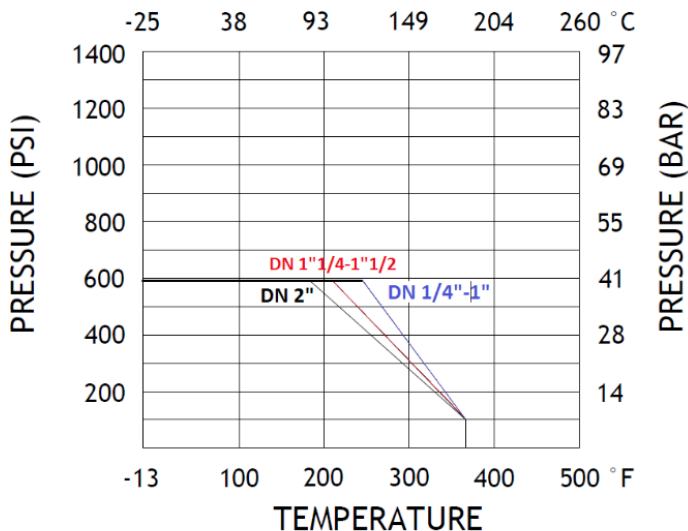
stainless steel 1.4408

PTFE

stainless steel

liquid and gaseous media

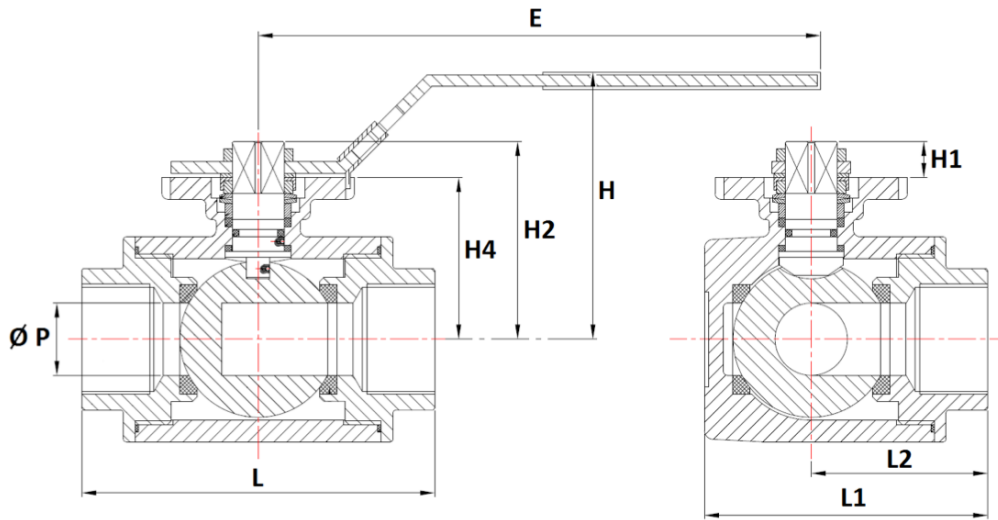
Pressure-temperature diagram:



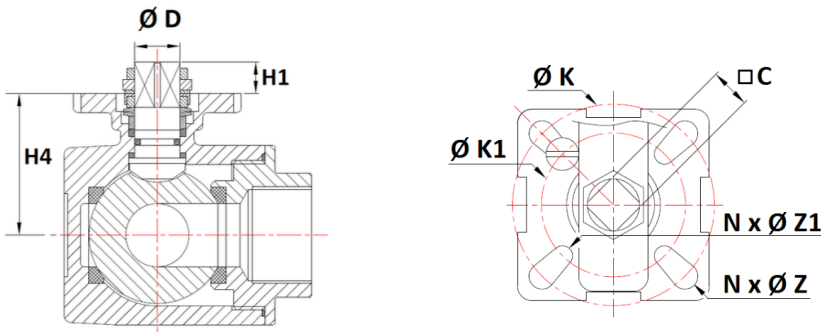
Torque (without safety coefficient):

dimension	torque (Nm)
1/4"	8
3/8"	8
1/2"	8
3/4"	9
1"	15
1 1/4"	20
1 1/2"	30
2"	45

Dimension:



DN	ØP	L	L1	L2	E	H	H1	H2	H4	Weight (Kg)
1/4"	9,5	75	57,5	37,5	130	66	8,5	45,3	36,8	0,700
3/8"	11	75	57,5	37,5	130	66	8,5	45,3	36,8	0,670
1/2"	12	75	57,5	37,5	130	66	8,5	45,3	36,8	0,630
3/4"	15	85	65,5	42,5	161	72	11	52	41,2	0,940
1"	20	100	79	50	161	77	12	58,5	46,5	1,390
1 1/4"	25	122	97	61	203	92	13,5	69,5	56	2,910
1 1/2"	32	131	106,5	65,5	203	96	13,5	73,5	60	3,660
2"	40	158	129	79	203	107	13	83,5	70,5	6,310











DN	C	Ø D	H1	H4	ØK	ISO	N x ØZ	ØK1	ISO	N x ØZ 1
1/4"	9	M12X1,5	8,5	36,8	42	F04	4x6	36	F03	4 x 6
3/8"	9	M12X1,5	8,5	36,8	42	F04	4x6	36	F03	4 x 6
1/2"	9	M12X1,5	8,5	36,8	42	F04	4x6	36	F03	4 x 6
3/4"	11	M14X1,5	11	41,2	50	F05	4x7	42	F04	4 x 6
1"	11	M14X1,5	12	46,5	50	F05	4x7	42	F04	4 x 6
1 1/4"	14	M18X1,5	13,5	56	70	F07	4x9	50	F05	4 x 7
1 1/2"	14	M18X1,5	13,5	60	70	F07	4x9	50	F05	4 x 7
2"	14	M18X1,5	13	70,5	70	F07	4x9	50	F05	4 x 7

Flow Coefficient Kvs (M3 / H)

DN	1/4"	3/8"	1/2"	3/4"	1"	1 1/4"	1 1/2"	2"
Kvs (M3 / H)	2,29	3,86	4,75	5,11	11,8	19,6	33,2	53,7

basic position: L = 1
T = 3

Different switch positions see table on next page

3-way-ball-valve L- and T-drilling				
T-drilling				
L-drilling				

Article number:

Type	Version	Seal	Size
GK09	00 – T-bore 01 – L-bore	00 – PTFE	01 – 1/4" 02 – 3/8" 03 – 1/2" 04 – 3/4" 05 – 1" 06 – 1 1/4" 07 – 1 1/2" 08 – 2"

Example no. GK09000005:

GK09 | **00** | **00** | **05**

Three-way ball valve made of stainless steel

Version: T-bore

Seal: PTFE

Size: 1"

Image similar, subject change without notice.