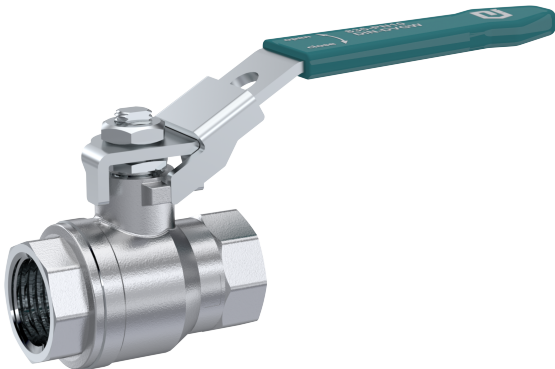


# Thread-Ball valve stainless steel type GK05



**Description:**

Ball valve with thread connection made of stainless steel with full port design. Stainless steel ball and handle to shut off a pipeline system.

**Features:**

- Suitable for neutral and not neutral **gaseous & liquid media**
- Two piece body
- Blow-out proof stem
- Adjustable stem packing
- Lockable

**Connection:**

1/4", 3/8", 1/2", 3/4", 1", 1 1/4", 1 1/2", 2" Zoll

**Construction:**

Full port design

**Pressure:**

0 – 40 bar – depending on design  
DVGW-drinking water up to 10 bar

**Design:**

Two piece ball valve full port design

**Body:**

Stainless steel 1.4408

**Ball:**

Stainless steel 1.4408

**Ball sealing:**

PTFE

**Stem seal:**

PTFE

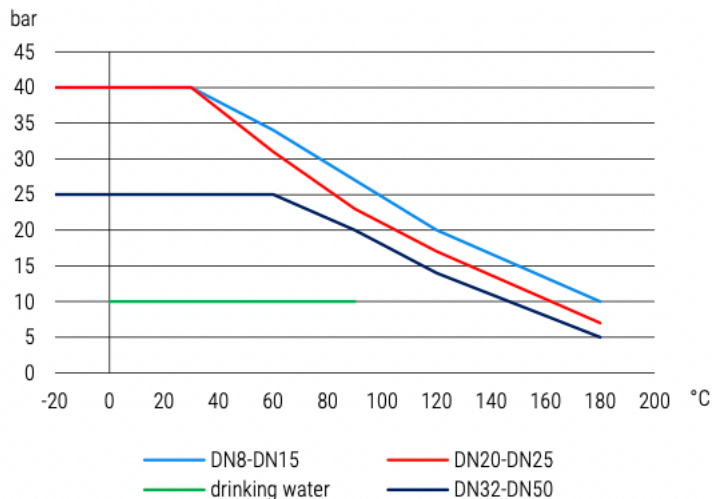
**Handle:**

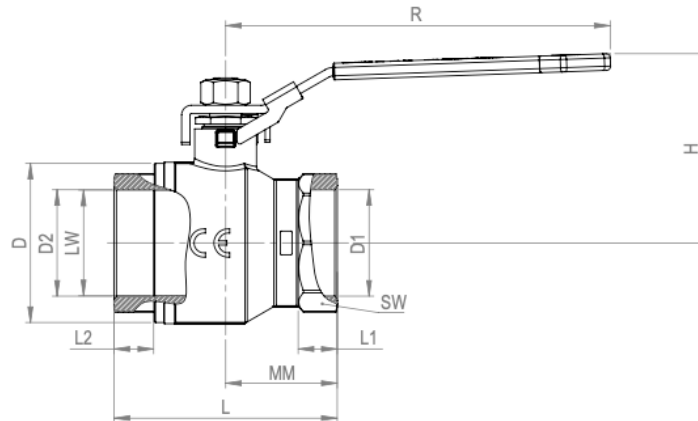
Stainless steel with green plastic cover

**Temperature:**

-20°C to +180°C (depending on working pressure)

**Druck-Temperatur-Diagramm pressure-temperature-diagram**





**Dimensions:**

DN	D1/D2	LW	PN	L	L1/L2	MM	R	H	D	SW	Weight
	ISO 228-1		(bar)	(mm)	(mm)	(mm)	(mm)	(mm)	(mm)	(mm)	(kg)
8	G 1/4"	9	40	40	8,5	20	93	45	26	20	0,15
10	G 3/8"	9	40	40	8,5	20	93	45	26	20	0,12
15	G 1/2"	14	40	50	10	25	109	51	32	25	0,22
20	G 3/4"	19	40	60	11	30	109	55	40	31	0,33
25	G 1"	24	40	68	13	34	126	62	46	38	0,48
32	G 1 1/4"	30	25	80	14	40	126	67	56	48	0,75
40	G 1 1/2"	38	25	94	16	47	162	80	68	54	1,28
50	G 2"	47	25	106	17	53	162	88	85	66	2,04

**Article number:**

Type	Version	Seal	Size
GK05	00 – female thread	00 – PTFE	01 – 1/4" 02 – 3/8" 03 – 1/2" 04 – 3/4" <b>05 – 1"</b> 06 – 1 1/4" 07 – 1 1/2" 08 – 2"

**Example no. GK05000005:**

GK05	00	00	05
------	----	----	----

Thread ball valve made of stainless steel

Version: female thread

Seal: PTFE

Size: 1"

Image similar, subject change without notice.