

Three-piece ball valve stainless steel type GK04



Description:

Three-piece ball valve with thread connection or welding end made of stainless steel with full port design. Stainless steel ball and handle to shut off a pipeline system.

Features:

- suitable for neutral and not neutral **gaseous & liquid media**
- three-piece body
- blow-out proof stem
- adjustable stem packing
- Pressure Equipment Directive

Connection:

1/4", 3/8", 1/2", 3/4", 1", 1 1/4", 1 1/2", 2", 2 1/2", 3" Inch

Construction:

full port design

Pressure:

0 – 64 bar – depending on design

Design:

Three-piece body with full port design

Body:

Stainless steel 1.4408

Ball:

Stainless steel 1.4401

Ball sealing:

PTFE

Stem seal:

PTFE

Handle:

Stainless steel 1.4301

Temperature:

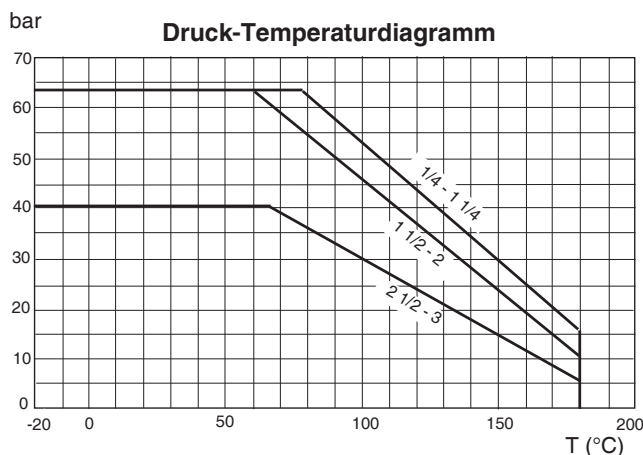
-20°C bis +180°C (depending on working pressure)

Pressure Equipment Directive:

PED DN6-DN25 Cat. 0

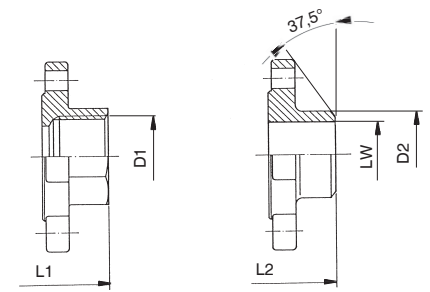
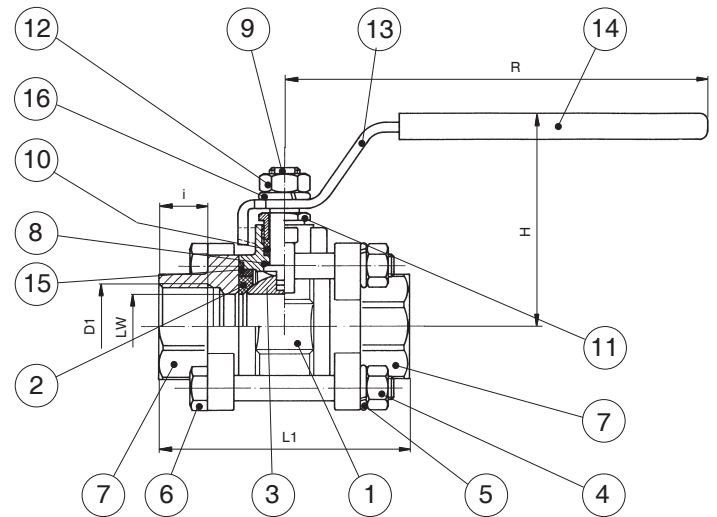
PED DN32-DN80 Cat. 2

Pressure-temperature-diagramm:



Remark: gland nut must be adjusted in intervals.

no.	part name	material
1	body	1.4408
2	ball seal	PTFE
3	ball	1.4401
4	bolt nut	1.4301
5	bolt washer	1.4301
6	bolt	1.4301
7	cap	1.4408
8	stem seal	PTFE
9	stem	1.4401
10	stem packing	R PTFE
11	nut	1.4301
12	handle nut	1.4301
13	handle	1.4301
14	handle sleeve	Kunststoff
15	body gasket	PTFE
16	bolt washer	1.4301



GK0400

GK0401

Dimensions:

DN	LW	PN	D1	D2	L1	L2	i	H	R
ISO 7/1									
8	10	64	Rp 1/4"	14,0	60	70	13,0	51	100
10	10	64	Rp 3/8"	17,2	60	58	13,0	51	100
15	15	64	Rp 1/2"	21,4	75	64	16,0	60	130
20	20	64	Rp 3/4"	27,0	80	78	18,0	64	130
25	25	64	Rp 1"	33,8	90	86	19,5	72	165
32	32	64	Rp 1 1/4"	42,5	110	104	22,0	78	165
40	40	64	Rp 1 1/2"	48,4	120	119	24,0	86	190
50	50	64	Rp 2"	60,4	140	133	24,0	94	190
65	65	40	Rp 2 1/2"	76,2	185	165	31,0	132	250
80	80	40	Rp 3"	90,0	205	184	32,0	142	250

article number:

Type	Version	Seal	Size
GK04	00 – female thread	00 – PTFE	01 – 1/4"
	01 – welding end (ANSI B 16.25)		02 – 3/8"
			03 – 1/2"
			04 – 3/4"
			05 – 1"
			06 – 1 1/4"
			07 – 1 1/2"
			08 – 2"
			09 – 2 1/2"
			10 – 3"

Example no. GK04000005:

GK04 | **00** | **00** | **05**

Three-piece ball valve made of stainless steel

Version: female thread

Seal: PTFE

Size: 1"

Image similar, subject change without notice.