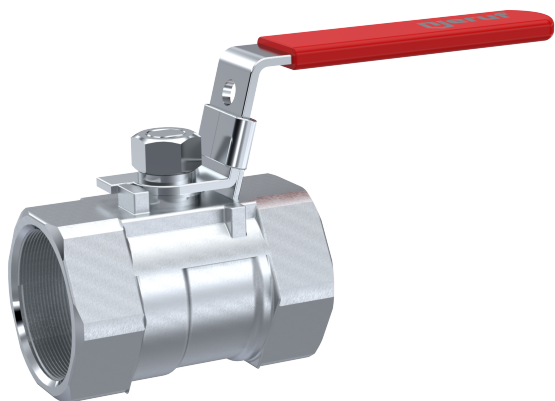


Thread Ball valve stainless steel type GK03



description:

Thread Ball valve made of stainless steel with reduced port design. With stainless steel-ball and PTFE ball sealing to shut off pipeline systems.

features:

- suitable for neutral and not neutral **gaseous & liquid media**
- unibody ball valve
- blow-out proof stem
- locking device

connection:

1/4", 3/8", 1/2", 3/4", 1", 1 1/4", 1 1/2", 2", Inch
BSP thread

construction:

Reduced port design

pressure:

0 – 40 bar

design:

unibody ball valve reduced port design, BSP thread

body:

stainless steel 1.4408

ball:

stainless steel 1.4408

ball sealing:

PTFE

stem seal:

PTFE

handle:

stainless steel with plastic cover

face-to-face length:

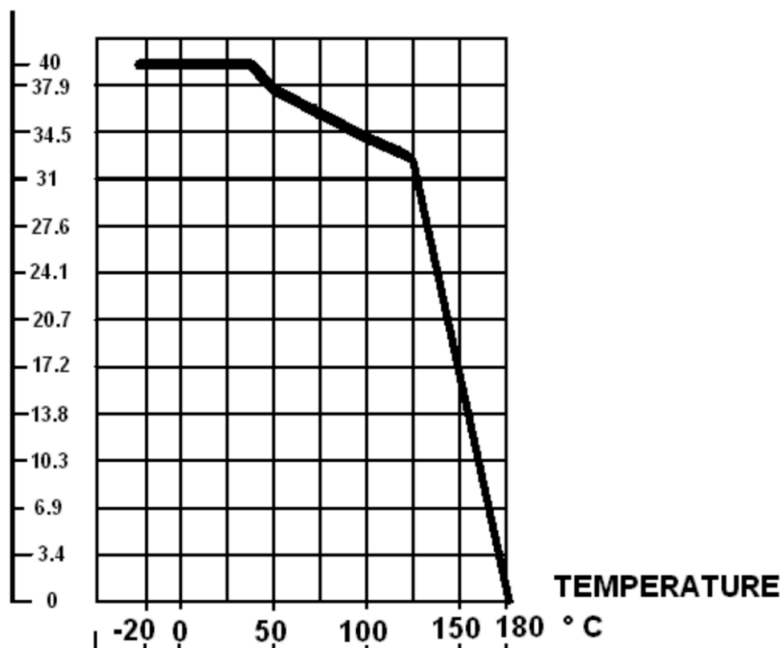
short

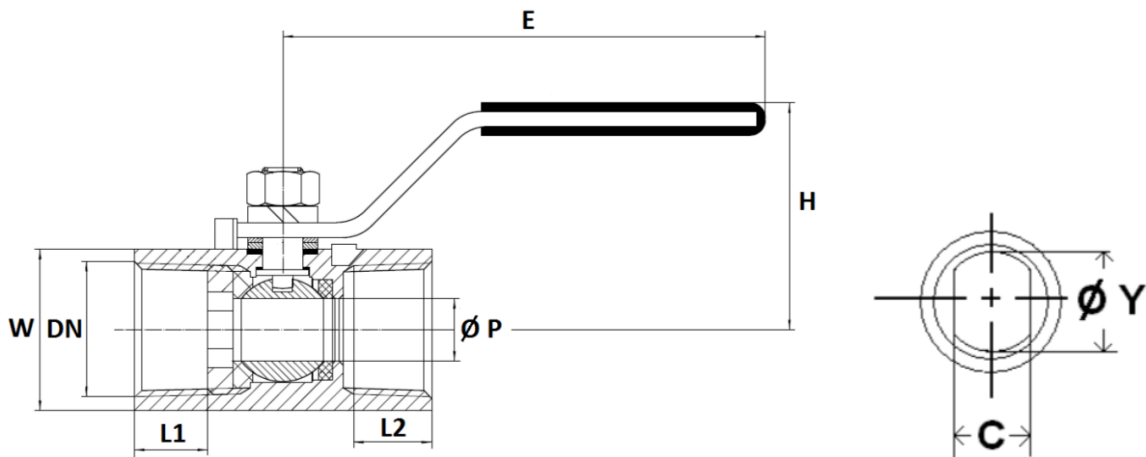
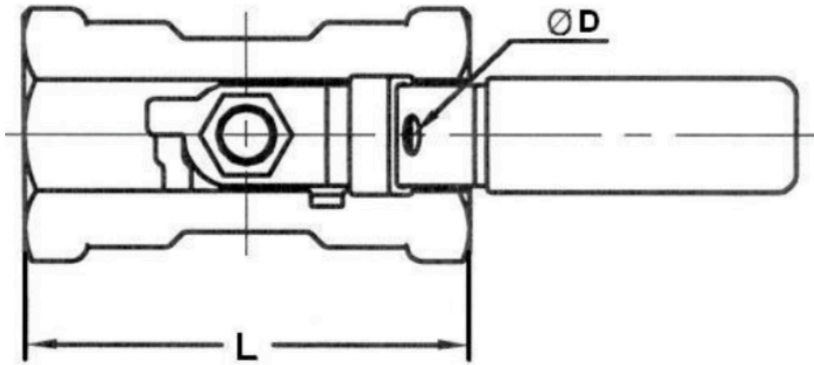
temperature:

-20°C to +180°C (depending on working pressure)

PRESSURE

BAR





dimensions:

DN	ØP	L	ØD	E	H	L1	L2	W	C	ØY	weight
6	5,0	39	6	65	32	9,5	9,5	17	3	4,6	0,06
10	6,8	44	6	65	35	10,5	10,5	21	4	6	0,1
15	9	56,5	8	96	45	16	14	25	5	7	0,19
20	12,5	58,5	8	96	48	15	15	32	5	7	0,26
25	16	71	8	101	56	17	17	38	6	9	0,41
32	20	78	8	101	61	19	19	48	6	9	0,62
40	25	83	8	135	70	20	19	53	8	11,5	0,84
50	32	100	8	135	76	23	23	66	8	11,5	1,33

article number:

Type	Version	Seal	Size
GK03	00 – female thread	00 – PTFE	01 – 1/4"
			02 – 3/8"
			03 – 1/2"
			04 – 3/4"
			05 – 1"
			06 – 1 1/4"
			07 – 1 1/2"
			08 – 2"

Example no. **GK03000005:**

GK03 | **00** | **00** | **05**

Thread ball valve made of stainless steel

Version: female thread

Seal: PTFE

Size: 1"

Image similar, subject change without notice.