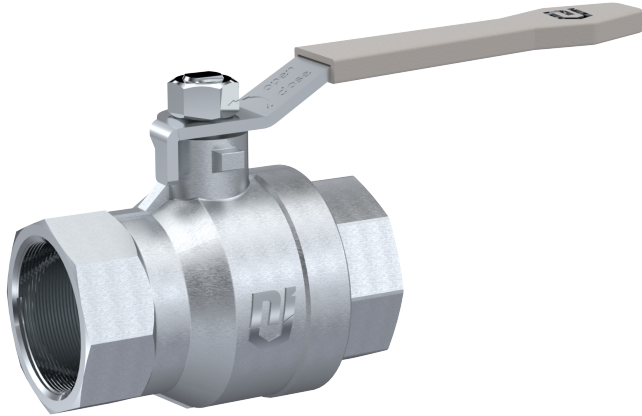


Thread Ball valve Brass type GK02



description:

Thread Ball valve made of Brass with DVGW-G DVGW-W and PED 97/23/EG Kat. 3 module H approval. With chromed Brass-Ball to shut off pipeline systems.

features:

- suitable for neutral and not neutral **gaseous & liquid media**
- free of silicone
- blow-out proof stem with double O-ring sealing
- strong stem design

connection:

1/4", 3/8", 1/2", 3/4", 1", 1 1/4",
1 1/2", 2" Inch

construction:

Full port design acc. to DIN EN 1983

pressure:

0 – 40 bar – depending on design

design:

full port design acc. to DIN EN 1983

body:

CW617N chromed

ball:

CW617N chromed

ball sealing:

PTFE

stem seal:

double O-ring

handle:

lever handle, steel

face-to-face length:

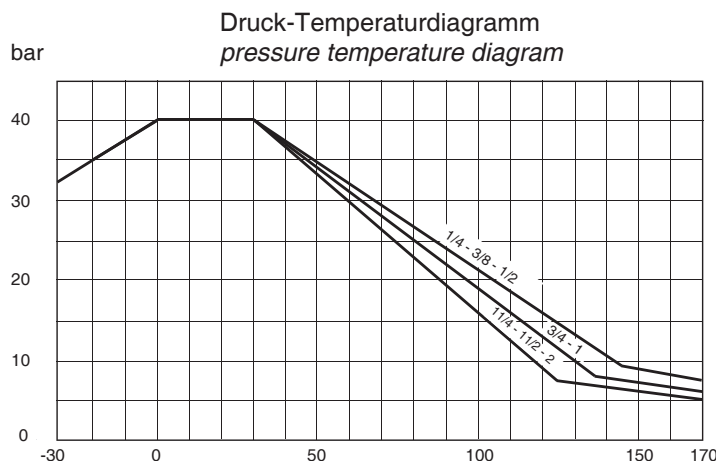
DIN face-to-face length

temperature:

in general -20°C to +170°C (depending on working pressure)

gas -20°C to +60°C (acc. to DIN EN 331)

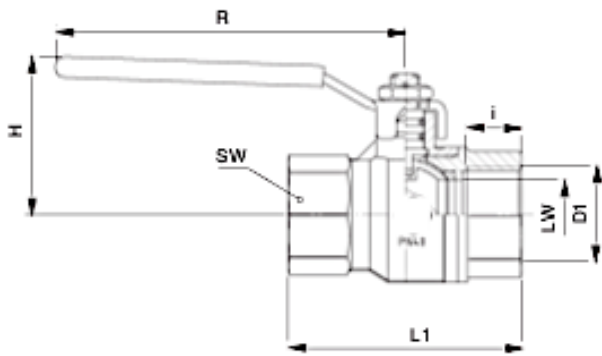
drinking water to +65°C (permanent) +95°C (momentary)



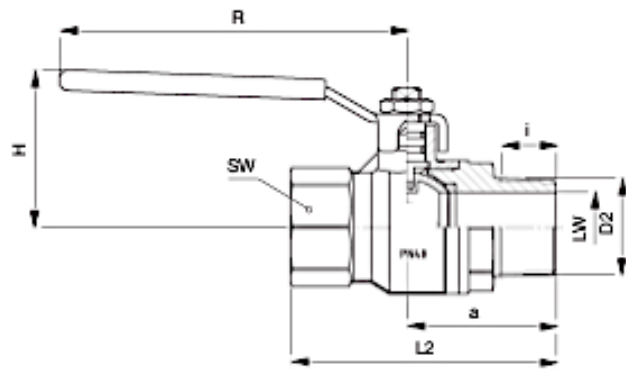
DVGW-G: NG-4312 BU0216 MOP 5

DVGW-W: NW-6102 BU0236 PN10

PED: CE-0035 module H PN40



type **GK0200** with IG x IG



type **GK0201** with IG x AG

dimensions:

| DN | LW | PN | D1 | D2 | L1 | L2 | i * | H | R | SW |
|----|----|----|----------------|----------|-------|-------|------|----|-----|----|
| | | | DIN EN 10226-1 | ISO 7/1 | +/- 2 | +/- 2 | | | | |
| 6 | 9 | 40 | Rp 1/4" | R 1/4" | 45 | 55,5 | 11 | 37 | 82 | 20 |
| 10 | 9 | 40 | Rp 3/8" | R 3/8" | 46 | 56,5 | 11,5 | 37 | 82 | 20 |
| 15 | 14 | 40 | Rp 1/2" | R 1/2" | 60 | 72,0 | 15 | 42 | 100 | 25 |
| 20 | 19 | 40 | Rp 3/4" | R 3/4" | 70 | 83,0 | 16 | 45 | 100 | 31 |
| 25 | 24 | 40 | Rp 1" | R 1" | 80 | 91,5 | 19 | 54 | 120 | 38 |
| 32 | 30 | 40 | Rp 1 1/4" | R 1 1/4" | 94 | 107,5 | 21 | 58 | 120 | 48 |
| 40 | 38 | 40 | Rp 1 1/2" | R 1 1/2" | 103 | 115,5 | 21 | 73 | 160 | 54 |
| 50 | 47 | 40 | Rp 2" | R 2" | 123 | 133,0 | 25 | 81 | 160 | 66 |

article number:

| Type | Version | Seal | Size |
|-------------|--|------------------|-----------|
| GK02 | 00 – female thread 01 – female x male thread | 00 – PTFE | 01 – 1/4" |
| | | | 02 – 3/8" |
| | 03 – 1/2" | | |
| | 04 – 3/4" | | |
| | 05 – 1" | | |
| | 06 – 1 1/4" | | |
| | 07 – 1 1/2" | | |
| | 08 – 2" | | |

Example no. GK02000005:

GK02 | **00** | **00** | **05**

Thread ball valve made of brass
 Version: female thread
 Seal: PTFE
 Size: 1"

Image similar, subject change without notice.