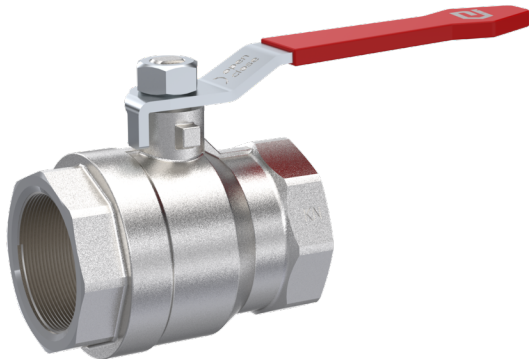


# Thread Ball valve Brass type GK01



**description:**

Thread Ball valve made of Brass with Brass handle and Brass Ball to shut off pipeline systems.

**features:**

- suitable for neutral and not neutral **gaseous & liquid media**
- free of silicone
- blow-out proof nickel plated brass stem

**connection:**

1/4", 3/8", 1/2", 3/4", 1", 1 1/4", 1 1/2", 2", 2 1/2", 3", 4" Inch

**construction:**

Full port design

**pressure:**

0 – 40 bar – depending on design

**design:**

reduced port design

**body:**

Brass nickel plated

**ball:**

Brass chrome plated

**ball sealing:**

PTFE

**stem seal:**

2 O-ring Viton

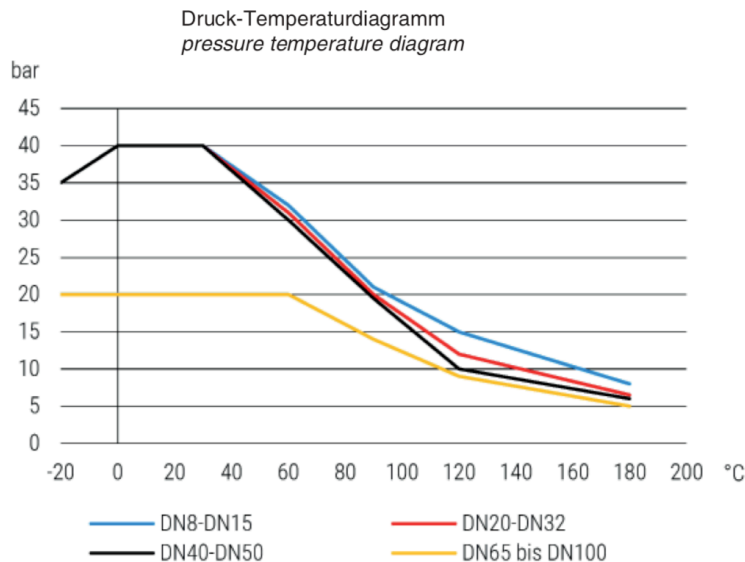
**handle:**

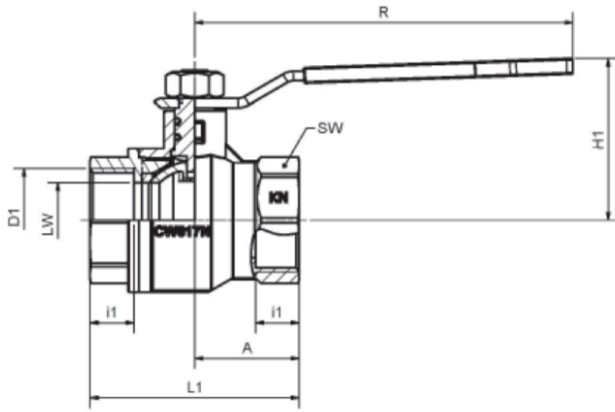
Steel zinc coated with red plastic cover

From DN65 aluminium red coated

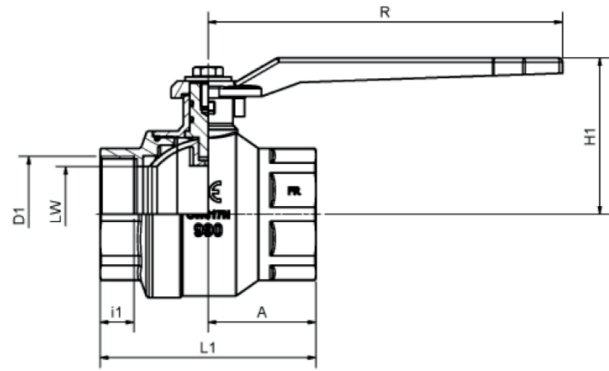
**temperature:**

-20°C up to +180°C (depending on working pressure)





**DN8 – DN50**



**DN65-DN100**

**dimensions:**

DN	LW	PN	D DIN ISO 228	L +/- 2	i *	H	R	SW	weight
8	8	40	G 1/4"	39	9,5	34,5	82	20	0,13
10	9,5	40	G 3/8"	39	9,5	34,5	82	20	0,11
15	14,7	40	G 1/2"	50	11	39	102	25	0,20
20	19	40	G 3/4"	56	11	42	102	31	0,28
25	23,8	40	G 1"	67	14	52	121	38	0,44
32	30	40	G 1 1/4"	77	14	56	121	48	0,67
40	38	40	G 1 1/2"	90	16	71,5	158	54	1,02
50	48	40	G 2"	106	18	79,5	158	66	1,52
65	65	20	G 2 1/2"	140	22	101,5	230	82	2,96
80	74	20	G 3"	167	29	120	270	96	4,90
100	98	20	G 4"	207	33	137,5	270	125	8,48

**article number:**

Type	Version	Seal	Size
<b>GK01</b>	<b>00 – brass</b>	<b>00 – PTFE</b>	01 – 1/4" 02 – 3/8" 03 – 1/2" 04 – 3/4" <b>05 – 1"</b> 06 – 1 1/4" 07 – 1 1/2" 08 – 2" 09 – 2 1/2" 10 – 3" 11 – 4"

**Example no. GK01000005:**

**GK01 | 00 | 00 | 05**

Thread ball valve  
Version: brass  
Seal: PTFE  
Size: 1"

Image similar, subject change without notice.