

# Ball valve stainless steel type FK11



**description:**

Ball valve in stainless steel with stainless steel handle and ball in compact design. Flanges with metric drilling holes. To shut off pipeline systems.

**features:**

- suitable for neutral and not neutral **gaseous & liquid media**
- Threaded holes flanges
- ISO 5211 mounting pad for actuator
- Locking device from DN 25 – DN 100
- Anti blow-out stem

**connection:**  
DN15 – DN150

**construction:**  
Full port design

**pressure:**  
max. 16 bar

Type	body material	stem seal & body seal	temperature	pressure	handle	certification
FK11	Stainless steel 1.4408 (ASTM A351 CF8M)	FKM & PTFE	-20°C to +180°C (depending on working pressure)	PN16	handle	TA-Air approval acc. to VDI 2440, Directive 2014/68/EU: category 2 Module D1 (up to DN100) category 3 Module H (DN125-DN150)

**design:**

**ball:**

**seal:**

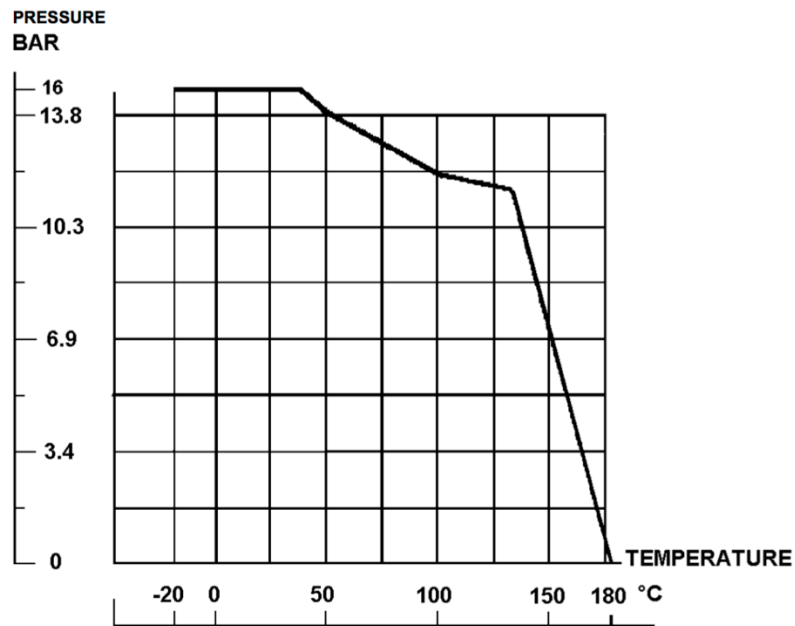
**handle:**

**interface connection:**

**flange connection:**

compact metric drilling holes, full bore stainless steel 1.4408 (ATM A351 CF8M) PTFE + FKM / packing PTFE O-Ring FKM stainless steel with plastic cover, from DN125 steel ISO 5211 mounting pad according to DIN EN 1092-1 PN16

pressure-temperature diagram:



Torque values:

dimension DN	torque in Nm
15	6
20	15
25	15
32	20
40	30
50	50
65	71-85
80	90-105
100	110-120
125	190
150	250

Tightening torque for screws:

dimension DN	threading	torque in Nm
15	M12	30-40
20		
25		
32	M16	40-50
40		
50		50-60
65		
80		
100		

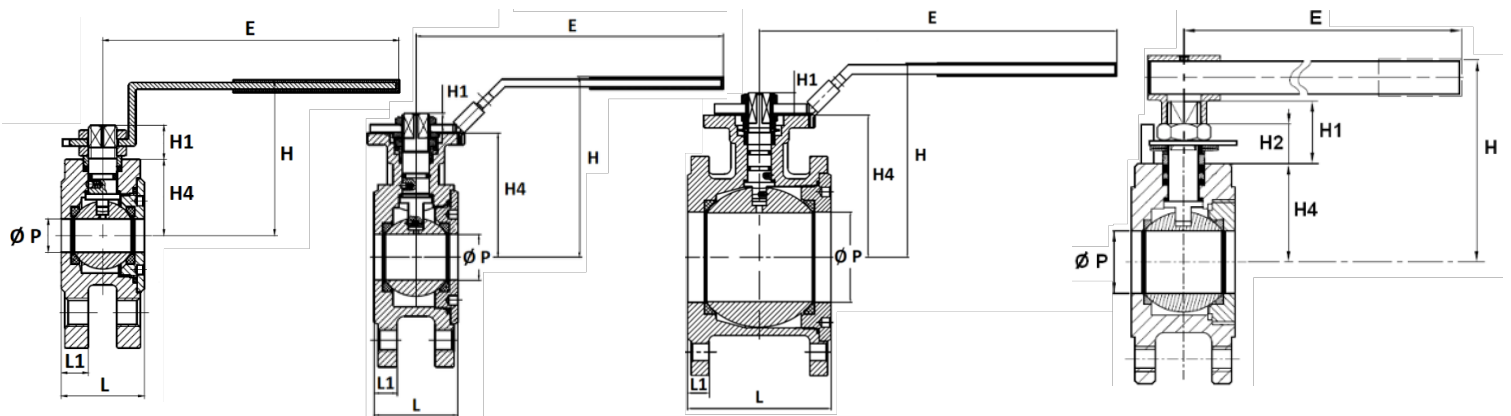
Dimensions:

DN15-20

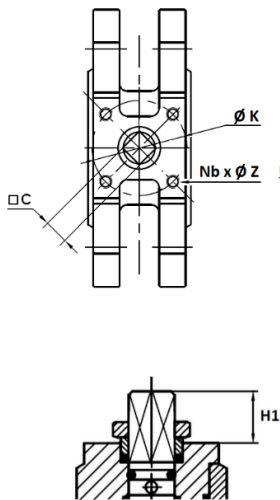
DN25-50

DN65-100

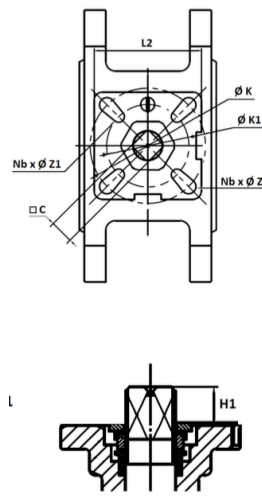
DN125-150



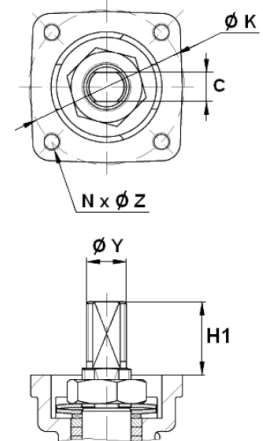
DN 15- 20



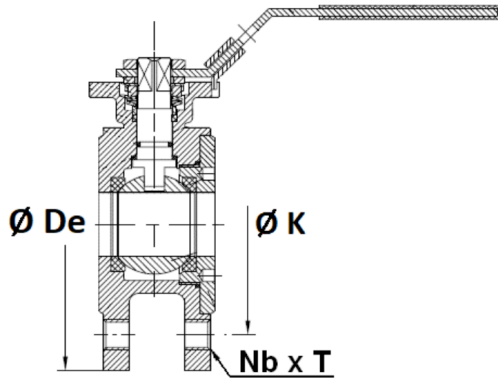
DN25- 100



DN 125 - 150



DN	ØP	L	L1	E	H	H1	H2	H4	C	L2	ØY	ØK	ISO	Nb x ØZ	ØK1	ISO 1	Nb x ØZ	weight (kg)
15	14	35	11,5	125	65,7	14,5	-	32	9	-	-	36	F03	4 x M5	-	-	-	1,09
20	19	39	12	125	69	13,5	-	35,5	9	-	-	36	F03	4 x M5	-	-	-	1,45
25	24	44	12	186,5	94,5	10,5	-	65	11	49	-	42	F04	4 x 6,4	50	F05	4 x 7	1,99
32	30	52	14	18,5	101	9	-	71,5	11	49	-	42	F04	4 x 6,4	50	F05	4 x 7	3,08
40	38	64	16	276,5	123,5	13,5	-	85	14	65	-	50	F05	4 x 7	70	F07	4 x 9	4,73
50	48	83	16	276,5	122	14	-	83,5	14	65	-	50	F05	4 x 7	70	F07	4 x 9	6,24
65	64	105	16	381,5	148	19	-	104	17	94	-	70	F07	4 x 9	102	F10	4 x 11	10,37
80	76	121	18	381,5	164	19	-	120	17	94	-	70	F07	4 x 9	102	F10	4 x 11	13,89
100	94	152	18	441,5	173,5	20	-	130	17	94	-	70	F07	4 x 9	102	F10	4 x 11	20,3
125	118	179	-	400	205	50	31	117	17	-	28	10	F10	4 x M10	-	-	-	30,00
150	135	202	-	600	220	50	31	130	17	-	28	12	F12	4 x M12	-	-	-	41,00



DN	ØDe	ØK	Nb x T
15	95	65	4 x M12
20	105	75	4 x M12
25	115	85	4 x M12
32	140	100	4 x M16
40	150	110	4 x M16
50	165	125	4 x M16
65	185	145	4 x M16
80	200	160	8 x M16
100	220	180	8 x M16
125	250	210	8 x M16
150	285	240	8 x M20

article number:

design	material	seal	thread
FK11	00 – stainless steel	00 – PTFE	03 – DN15 <b>04 – DN20</b> 05 – DN25 06 – DN32 07 – DN40 08 – DN50 09 – DN65 10 – DN80 11 – DN100 12 – DN125 13 – DN150

example No. FK11000004:

FK11 | 00 | 00 | 04

Ball valve made of stainless steel with PTFE seal and DN20.

Image similar, subject change without notice.