

Flange ball valves in spheroidal graphite cast iron type FK01 / FK02



description:

Flange ball valve in spheroidal graphite cast iron with lever and fire safe design to shut off pipeline systems.

features:

- suitable for neutral and not neutral **gaseous & liquid media**
- free of silicone
- TA-Air approval acc. to DIN EN ISO 15848
- fire-safe design
- blow out proved stem design
- Classification acc. to PED 2014-68-EU
- LABS conformity acc. to VDMA 24364

connection:

DN200, DN250

construction:

Full port design, DN250 reduced

pressure:

0 – 16 bar

design:

full port design, reduced design

body:

Nodular cast iron 5.3103

corrosion protection:

grounding 1 K water-based varnish / other painting on request

ball type FK01:

Cast steel (chromed) 1.0503

ball type FK02:

(solid) stainless steel 1.4404

ball seal:

PTFE + GF + (FKM) 3 side guided ball seals

ball seal suitable for DVGW gas:

PTFE + (FKM) – version FK0102 / FK0202

handle:

Stainless steel yellow

faces:

DIN EN 1092-2 B1 PN16

temperature:

-20°C to +180°C (depending on working pressure)

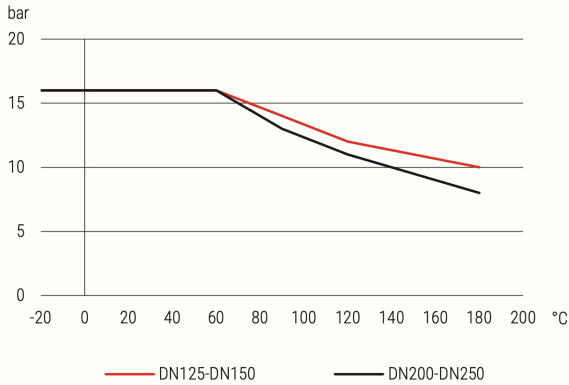
gas: -20°C to +60°C



pressure-temperature-diagram:

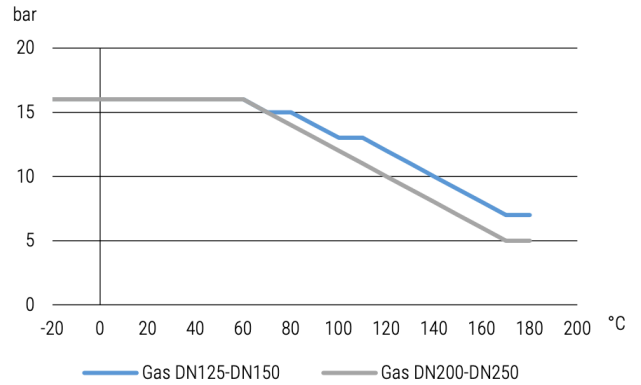
Standard-version

Druck-Temperatur-Diagramm pressure-temperature-diagram



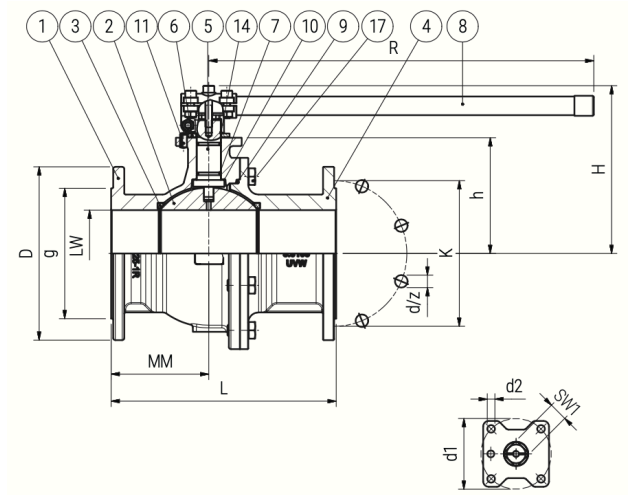
DVGW-version

Druck-Temperatur-Diagramm pressure-temperature-diagram



dimensions:

no.	description	material
1	body	Nodular cast iron 5.3103
2	ball	Type FK01 cast steel chromed 1.0503
2	ball	Type FK02 solid stainless steel 1.4404
3	ball seal	Typ FK(xx)00 PTFE + GF
3	ball seal	Typ FK(xx)02 PTFE
4	flange	Nodular cast iron 5.3103
5	stem	Stainless steel 1.4101
6	stop plate	Steel zinc plated
7	Spindle seal	FKM
8	handle	Stainless steel 1.4301
9	body seal	FKM
10	Thrust washer	Polyamide
11	Stop pin	Steel zinc plated
14	clip ring	spring steel
17	Bolt	Steel zinc plated



DN	LW	PN	L	MM	R	H	h	D	K	g	z	d	SW1	M	d1	d2
200	200	16	400	200	706	313	238	340	295	268	12	22	27	F12/14	125/140	13/17
250	200	16	450	225,5	706	298	219	405	355	320	12	26	27	F14	140	M16

DN	Weight kg	Breakaway torque Nm		Breakaway torque Nm		Breakaway torque Nm	
		PN0 (Standard / DVGW)		PN7 (Standard / DVGW)		PN16 (Standard / DVGW)	
200	119,40	250	400	270	420	300	450
250	158,00	250	400	270	420	300	450

article number:

Type	Seal	Connection	Size
FK01 – steel chrome plated ball	00 – standard	00 – flange	14 – DN200
FK02 – stainless steel ball	02 – DVGW-Gas		15 – DN250

example no. FK01020014:

FK01 | **02** | **00** | **05**

Flange ball valve made of spheroidal graphite cast iron with steel chrome plated ball
 Ball seal: DVGW-Gas
 Connection: flange
 Size: DN200

Image similar, subject change without notice.