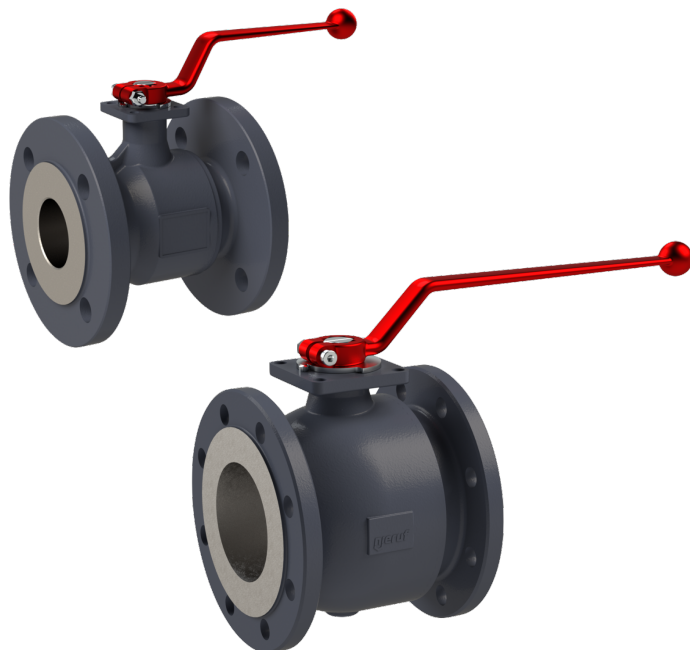


Flange ball valves in spheroidal graphite cast iron type FK01 / FK02



description:

Flange ball valve in spheroidal graphite cast iron with lever and fire safe design to shut off pipeline systems.

features:

- suitable for neutral and not neutral **gaseous & liquid media**
- free of silicone
- TA-Air approval acc. to DIN EN ISO 15848
- fire-safe design
- blow out proved stem design
- Classification acc.to PED 2014-68-EU
- LABS conformity acc. to VDMA 24364

connection:

DN25, DN32, DN40, DN50, DN65, DN80, DN100, DN125, DN150

construction:

Full port design

pressure:

0 – 16 bar

design:

full port desing

body:

Nodular cast iron 5.3103

corrosion protection:

grounding 1 K water-based varnish / other painting on request

ball type FK01:

Cast steel (chromed) 1.0503

ball type FK02:

(solid) stainless steel 1.4404

ball seal:

PTFE + GF + (FKM) 3 side guided ball seals

ball seal suitable for DVGW gas:

PTFE + (FKM) – version FK0102 / FK0202

handle:

HTB certified acc. to DIN EN 1775 up to DN100 PN16 (DN125-DN150 PN5)

nominal diameter:

aluminium red / DVGW yellow

faces:

DIN EN 558-1 R 14

temperature:

DIN EN 1092-2 B1 PN16

-20°C to +180°C (depending on working pressure)

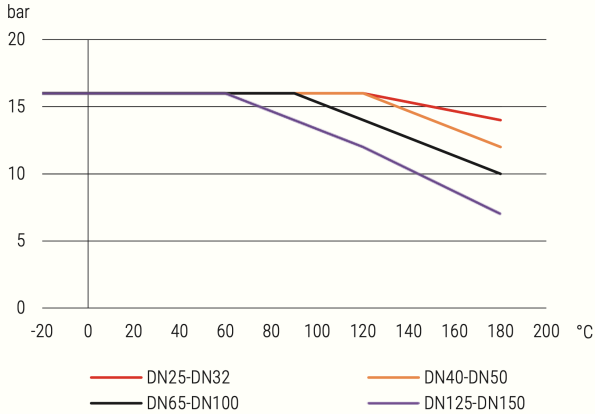
gas: -20°C to +60°C



pressure-temperature-diagram:

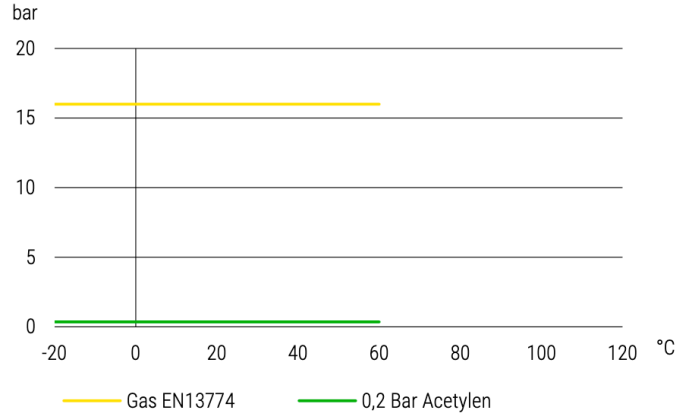
Standard-version

Druck-Temperatur-Diagramm pressure-temperature-diagram



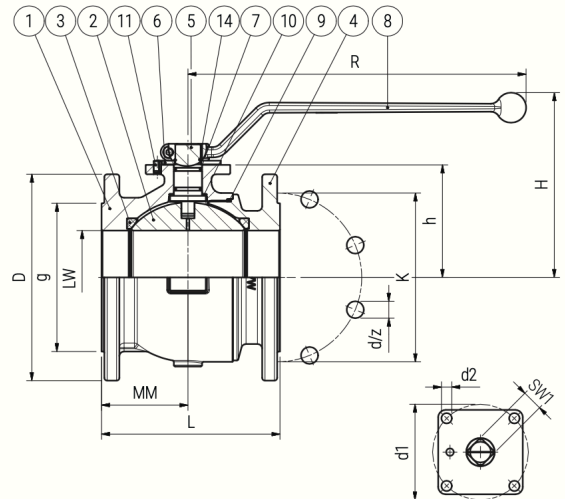
DVGW-version

Druck-Temperatur-Diagramm pressure-temperature-diagram



dimensions:

no.	description	material
1	body	Nodular cast iron 5.3103
2	ball	Type FK01 cast steel chromed 1.0503
2	ball	Type FK02 solid stainless steel 1.4404
3	ball seal	Typ FK(xx)00 PTFE + GF
3	ball seal	Typ FK(xx)02 PTFE
4	flange	Nodular cast iron 5.3103
5	stem	Stainless steel 1.4101
6	stop plate	Steel zinc plated
7	Spindle seal	FKM
8	handle	Aluminium red/yellow
9	body seal	FKM
10	Thrust washer	Polyamide
11	Stop pin	Steel zinc plated
14	clip ring	spring steel 1.4310



DN	LW	PN	L	MM	R	H	h	D	K	g	z	d	SW1	M	d1	d2
25	25	16	125	62,5	165	111,5	60	115	85	68	4	14	11	F 05	50	6,6
32	32	16	130	66	165	122,5	71	140	100	78	4	18	11	F 05	50	6,6
40	40	16	140	70	185	134	77	150	110	88	4	18	14	F 05	50	6,6
50	50	16	150	75	185	142	85	165	125	102	4	18	14	F 05	50	6,6
65	65	16	170	85	230	154,5	95	185	145	122	4	18	17	F 07	70	9
80	80	16	180	90,5	360	180,5	103,5	200	160	136	8	18	22	F 07	70	9
100	100	16	190	92	360	197	120	220	180	158	8	18	22	F 10	102	11
125	125	16	200	98	360	216	139	250	210	188	8	18	22	F 10	102	11
150	142	16	210	100	555	236	158	285	240	212	8	22	27	F 10	102	11

DN	Weight kg	Breakaway torque Nm		Breakaway torque Nm		Breakaway torque Nm	
		PN0 (Standard / DVGW)		PN7 (Standard / DVGW)		PN16 (Standard / DVGW)	
25	3,20	7	8	7	8	7	8
32	4,50	12	16	12	16	12	16
40	5,70	13	18	13	18	13	18
50	7,80	19	25	19	25	19	25
65	12,00	30	50	30	50	30	50
80	15,50	50	80	50	80	70	90
100	22,30	60	90	65	90	80	100
125	30,40	70	100	70	100	100	120
150	42,00	100	160	100	170	130	200

article number:

Type	Seal	Connection	Size
FK01 – steel chrome plated ball	00 – standard	00 – flange	05 – DN25
FK02 – stainless steel ball	02 – DVGW-Gas		06 – DN32
			07 – DN40
			08 – DN50
			09 – DN65
			10 – DN80
			11 – DN100
			12 – DN125
			13 – DN150

example no. FK01020005:

FK01 | **02** | **00** | **05**

Flange ball valve made of spheroidal graphite cast iron with steel chrome plated ball

Ball seal: DVGW-Gas

Connection: flange

Size: DN25

Image similar, subject change without notice.